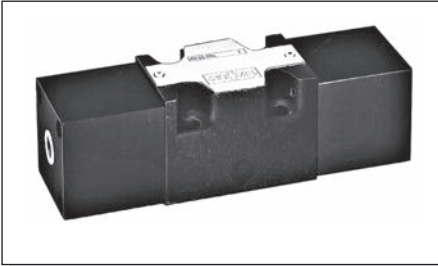


AD3P... PNEUMATIC OPERATION TYPE VALVES CETOP 3/NG6

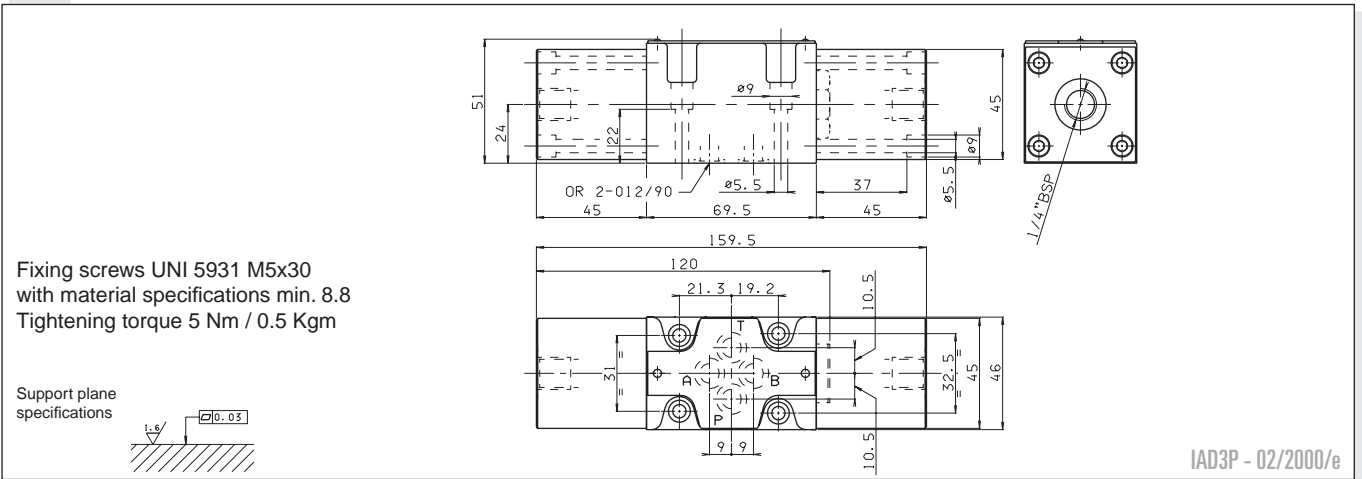
1



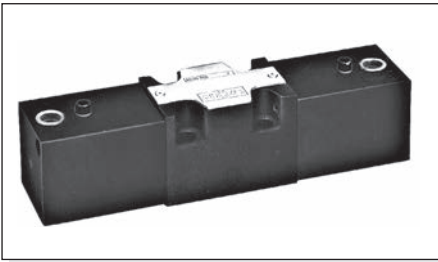
Max. pressure ports P/A/B	320 bar
Max. pressure port T	160 bar
Max. flow	60 l/min
Minimum operating pressure	$2 + [0.027 \times (pt^*)]$ bar - see note
Maximum operating pressure	20 bar
Fluid viscosity	$10 \div 500 \text{ mm}^2/\text{s}$
Fluid temperature	$-25^\circ\text{C} \div 75^\circ\text{C}$
Ambient temperature	$-25^\circ\text{C} \div 60^\circ\text{C}$
Max. contamination level	class 10 in accordance with NAS 1638 with filter $\beta_{25} \geq 75$
Weight single pilot	1,2 Kg
Weight twin pilot	1,8 Kg

• Possible mountings:
C/D/E/F/G/H/I/L/M
 Ordering code see page before
 (pt*)= pressure at port T

OVERALL DIMENSIONS



AD30... OLEODYNAMIC OPERATION TYPE VALVES CETOP 3/NG6



Max. pressure ports P/A/B	320 bar
Max. pressure port T	160 bar
Max. flow	60 l/min
Minimum operating pressure	$15 + [0.1 \times (pt^*)]$ bar - see note
Maximum operating pressure	250 bar
Fluid viscosity	$10 \div 500 \text{ mm}^2/\text{s}$
Fluid temperature	$0^\circ\text{C} \div 75^\circ\text{C}$
Ambient temperature	$-25^\circ\text{C} \div 60^\circ\text{C}$
Max. contamination level	class 10 in accordance with NAS 1638 with filter $\beta_{25} \geq 75$
Weight single pilot	1,5 Kg
Weight twin pilot	2,3 Kg

• Possible mountings:
C/D/E/F/G/H/I/L/M
 Ordering code see page before
 (pt*)= pressure at port "T".

The DI variant is recommended in the environments characterised by the presence of dust or any type of contamination.

Further technical specifications (for DI variant only)

Minimum operating pressure	$[10 + (pt^*)]$ bar - see note
Maximum operating pressure	250 bar
Max. piloting leakage	1 l/min

Minimum pilot pressure depends on spool scheme, flow rate and pressure.
 To allow the spool to return to neutral position, the pilot pressure must be below 3 bar.

OVERALL DIMENSIONS

