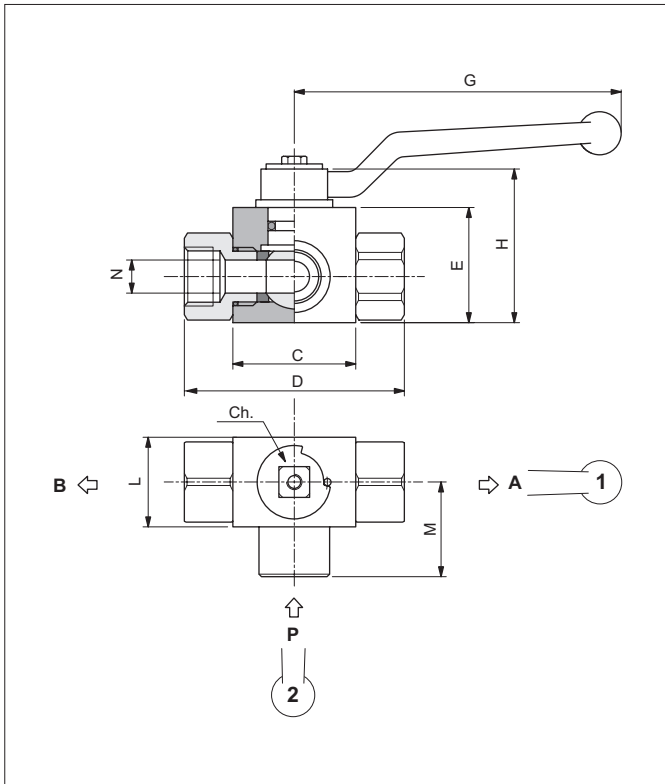


HIGH PRESSURE - 3 WAY BALL VALVES - IN-LINE MOUNTING

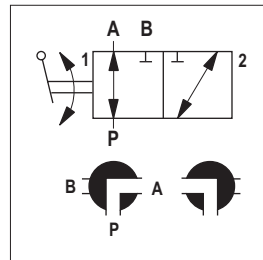
High pressure 3 way ball valves for in line mounting.
Steel body with external zinc plating. Cromed steel ball, aluminium lever.



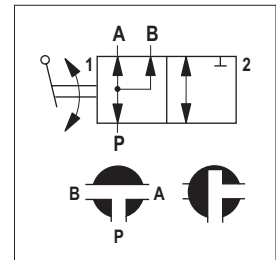
HYDRAULIC FEATURES

Hydraulic fluid	DIN 51524 Mineral oils
Fluid viscosity	10 ÷ 500 mm ² /s
Fluid temperature	-25°C ÷ 75°C
Ambient temperature	-25°C ÷ 60°C
Max. contamin. level class with filter	ISO 4406:1999 - class 19/17/14

HYDRAULIC SYMBOLS



SCHEME "A"



SCHEME "B"

Code	Thread A-B-P	Flow max (l/min)	Pressure max (bar)	C (mm)	D (mm)	E (mm)	G (mm)	H (mm)	L (mm)	M (mm)	N (mm)	Ch (mm)	Weight (kg)
BK3 A/B 02	1/8 BSP	5	400	42	71	35	110	49	30	33.5	4	9	0.50
BK3 A/B 04	1/4 BSP	10	400	42	71	35	110	49	30	33.5	6	9	0.50
BK3 A/B 06	3/8 BSP	25	400	44	73	40	110	54	35	37.0	10	9	0.70
BK3 A/B 08	1/2 BSP	70	350	48	83	43	110	57	37	40.0	13	9	0.80
BK3 A/B 12	3/4 BSP	100	350	62	95	55	180	73	45	52.0	20	14	1.50
BK3 A/B 16	1 BSP	150	350	66	113	65	180	83	55	60.0	25	14	2.35
BK3 A/B 20	1-1/4 BSP	150	350	66	121	65	180	83	55	61.5	25	14	2.50
BK3 A/B 24	1-1/2 BSP	150	350	66	124	65	180	83	55	61.5	25	14	2.70

ORDERING CODE

