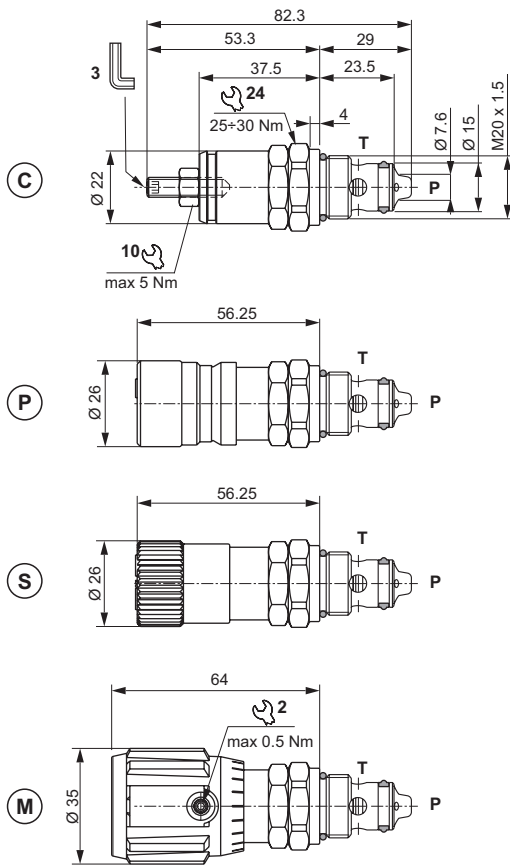


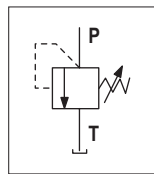
DIRECT ACTING PRESSURE RELIEF VALVES

1



00012006 Spare seals kit

HYDRAULIC SYMBOL



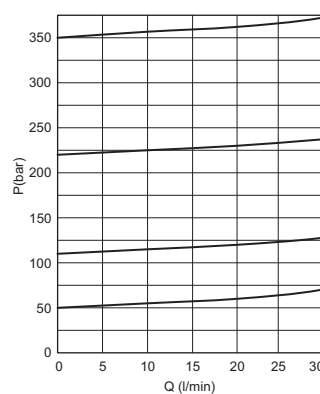
The direct acting relief valve limits the pressure in a hydraulic circuit. It raises the safety level by making it impossible for the plant operators to set a higher pressure rating, than that specified in the catalogue. This is limited by a pack spring with a mechanical stop. It has a galvanised steel body. The guided ball poppet is in tempered and ground steel.

HYDRAULIC FEATURES

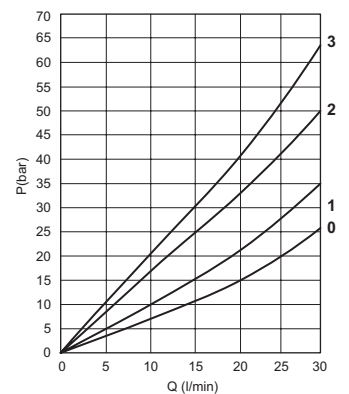
Max. working pressure	350 bar
Setting range:	
Spring 0 (white)	max 50 bar
Spring 1 (green)	max 110 bar
Spring 2 (yellow)	max 220 bar
Spring 3 (red)	max 350 bar
Max. Flow	30 l/min
Hydraulic fluid	DIN 51524 Mineral oils
Fluid viscosity	10 ÷ 500 mm ² /s
Fluid temperature	-25°C ÷ 75°C
Ambient temperature	-25°C ÷ 60°C
Max. contamin. level class with filter	ISO 4406:1999 - class 19/17/14
Weight	0.16 kg
Tightening torque	30 ÷ 35 Nm
Cavity (M20 x 1.5)	CN044001 (See section 17)

The minimum permissible setting pressure depending on the spring: see curves below

PRESSURE-FLOW RATE



MIN. SETTING PRESSURE



0 = CMP06*0 - 1 = CMP06*1.. - 2 = CMP06*2.. - 3 = CMP06*3..
Fluid used: mineral based oil with viscosity 46 mm²/s at 40°C.

ORDERING CODE

