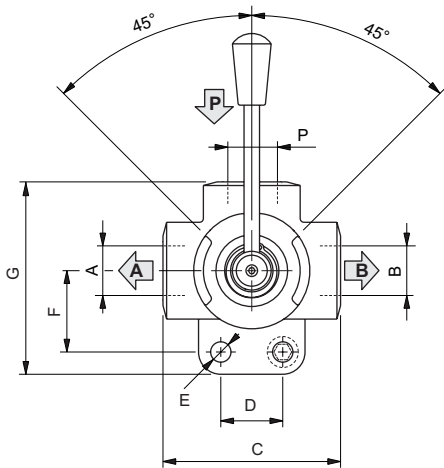


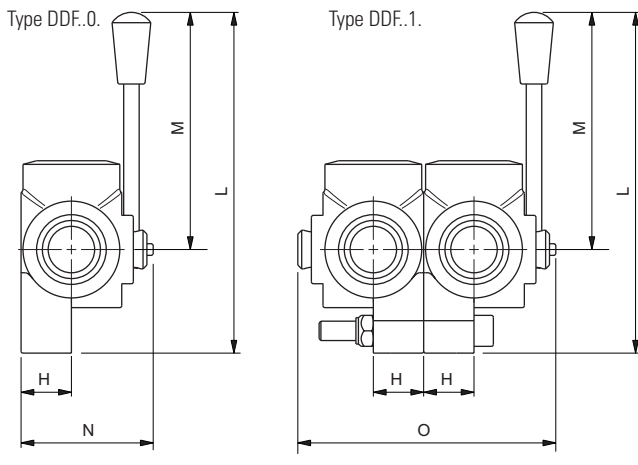
## DIVERTER VALVES - IN-LINE MOUNTING



These valves allow the flow to be diverted to user points A or B by turning the control lever cursor to the left or right. They can be the 3- or 6-way type, with closed or open centre. Iron cast body black colour, white zinc plated external parts.

### HYDRAULIC FEATURES

Hydraulic fluid	DIN 51524 Mineral oils
Fluid viscosity	10 ÷ 500 mm <sup>2</sup> /s
Fluid temperature	-25°C ÷ 75°C
Ambient temperature	-25°C ÷ 60°C
Max. contamin. level class with filter	ISO 4406:1999 - class 19/17/14



### HYDRAULIC SCHEME

Scheme	Model	
	0 (3 Way)	1 (6 Way)
<b>F</b> open centre		
<b>B</b> closed centre		

10

Code	Thread P-A-B	Flow max (l/min)	Pressure max (bar)	C (mm)	D (mm)	E (mm)	F (mm)	G (mm)	H (mm)	L (mm)	M (mm)	N (mm)	O (mm)	Weight DDF.0.. (kg)	Weight DDF.1.. (kg)
<b>DDF 04 ..</b>	1/4 BSP	60	350	70	25	8.5	32	75.5	21	155.5	115	57	112	0.8	1.5
<b>DDF 06 ..</b>	3/8 BSP	60	350	70	25	8.5	32	75.5	21	155.5	115	57	112	0.8	1.5
<b>DDF 08 ..</b>	1/2 BSP	90	350	80	32	8.5	36	86	24	161	115	63	124	1.2	2.3
<b>DDF 12 ..</b>	3/4 BSP	120	350	90	32	10.5	42	98.5	26	168.5	115	67	132	1.8	3.5
<b>DDF 16 ..</b>	1 BSP	200	350	98	32	10.5	50	110	31	176.5	115	77	152	2.7	5.3

### ORDERING CODE

