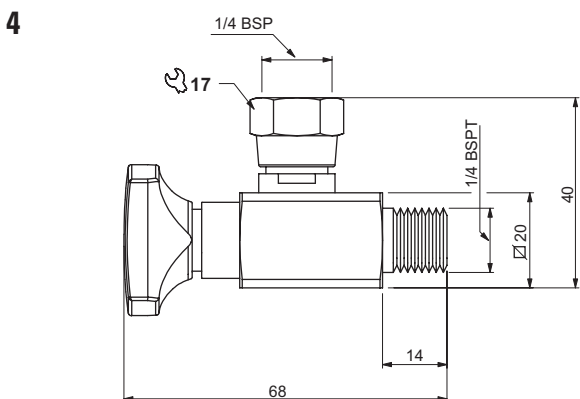
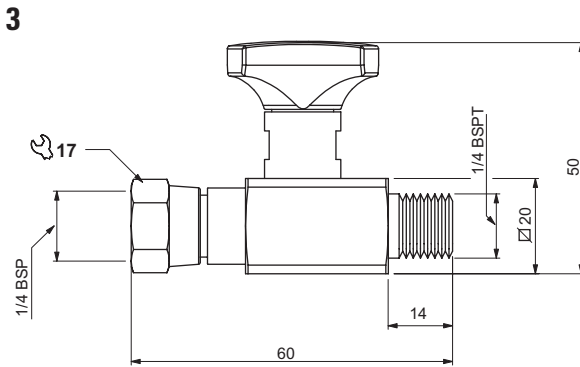
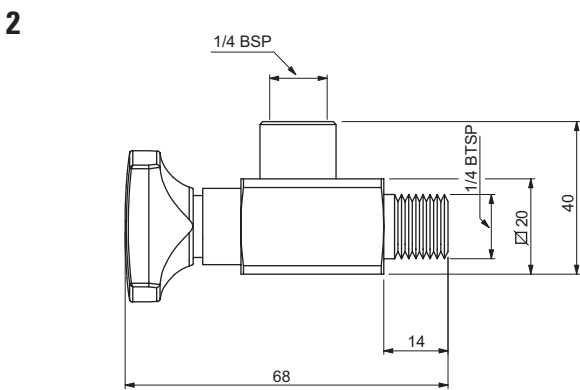
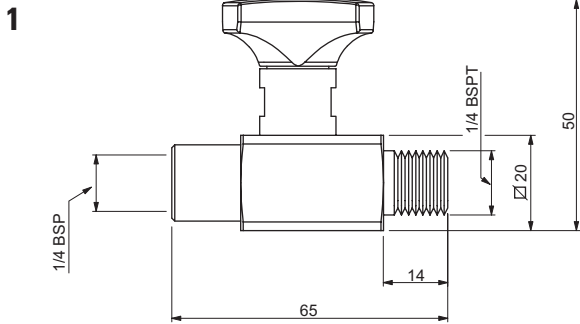


PRESSURE GAUGE SHUT-OFF - IN-LINE MOUNTING



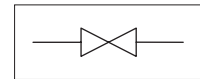
MR.7... in line - MRA.7... at 90°

This in-line mounting shut-off is completely steel made and allows for operating pressure of up to 400 bar. Its uses is essential to protect measuring gauge in the eventuality of fluid hammer.

MRG.7... in line with revolving nut MRAG.7... at 90° with revolving nut

This in-line mounting shut-off is completely steel made and allows for operating pressure of up to 400 bar. It has been designed to allow for independent mounting of the measuring gauge over a 360° angle, obviating in this way any problem relative to the gauge dimensions and mounting position. Its uses is essential to protect measuring gauge in the eventuality of fluid hammer.

HYDRAULIC SYMBOL



ORDERING CODE

Ref	Code	Description	Pressure max (bar)	Weight (kg)
1	MR7002	In line	400	0.115
2	MRA7002	At 90°	400	0.130
3	MRG7002	In line with revolving nut	400	0.120
4	MRAG7002	At 90° with revolving nut	400	0.135