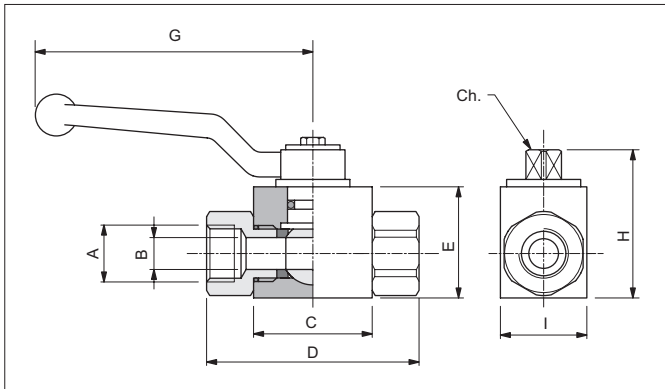
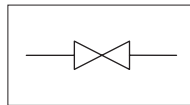


HIGH PRESSURE - 2 WAY BALL VALVES - IN-LINE MOUNTING



High pressure 2 way ball valves for in line mounting.
Steel body with external zinc plating. Cromed steel ball, aluminium lever.

HYDRAULIC SYMBOL



HYDRAULIC FEATURES

Hydraulic fluid	DIN 51524 Mineral oils
Fluid viscosity	10 ÷ 500 mm ² /s
Fluid temperature	-25°C ÷ 75°C
Ambient temperature	-25°C ÷ 60°C
Max. contamin. level class with filter	ISO 4406:1999 - class 19/17/14

Code	Thread A	Flow max (l/min)	Pressure max (bar)	B (mm)	C (mm)	D (mm)	E (mm)	G (mm)	H (mm)	I (mm)	Ch (mm)	Weight (kg)
RBS502	1/8 BSP	5	500	4	42	71	35	110	49	30	9	0.50
RBS504	1/4 BSP	10	500	6	42	71	35	110	49	30	9	0.50
RBS506	3/8 BSP	25	500	10	44	73	40	110	54	35	9	0.65
RBS508	1/2 BSP	40	500	13	48	83	43	110	57	37	9	0.75
RBS512	3/4 BSP	100	400	20	62	95	55	180	73	45	14	1.40
RBS516	1 BSP	150	350	25	66	113	65	180	83	55	14	2.15
RBS520	1-1/4 BSP	150	350	25	66	121	65	180	83	55	14	2.25
RBS524	1-1/2 BSP	150	350	25	66	124	65	180	83	55	14	2.35

ORDERING CODE

