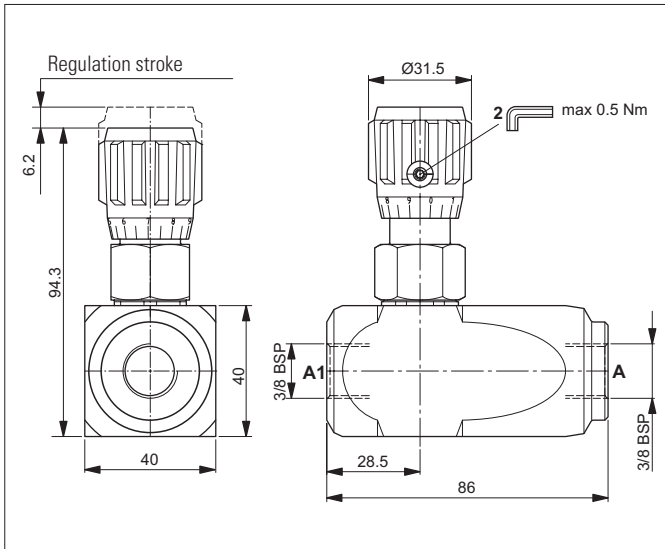


PRESSURE COMPENSATED FLOW UNIDIRECTIONAL FLOW CONTROL VALVES - IN-LINE MOUNTING

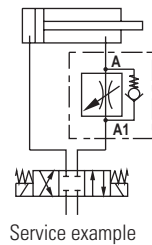
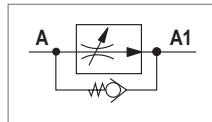


The valve maintains the flow rate in one direction (A to A1) regardless of oil pressure; the oil flows freely in the opposite direction. The flow is reduced by turning the wheel right or left. Slight leakage is tolerated when the control screw or wheel is screwed down completely. It has a galvanised steel body. The compensator plunger and check valve ball poppet are in tempered and ground steel.

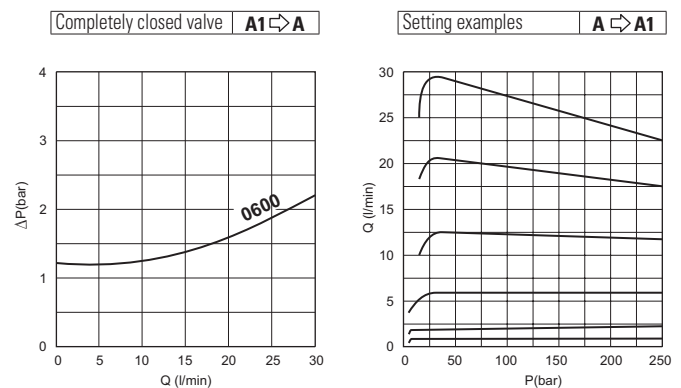
HYDRAULIC FEATURES

Max. working pressure	250 bar
ΔP of regulation	12.6 bar
Max. Flow	29 l/min
Hydraulic fluid	DIN 51524 Mineral oils
Fluid viscosity	10 ÷ 500 mm ² /s
Fluid temperature	-25°C ÷ 75°C
Ambient temperature	-25°C ÷ 60°C
Max. contamin. level class with filter	ISO 4406:1999 - class 19/17/14
Weight	0.95 kg

HYDRAULIC SYMBOL



PRESSURE DROPS



Fluid used: mineral based oil with viscosity 32 mm²/s at 40°C.

ORDERING CODE

