


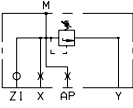
CARTRIDGE VALVES - COVERS

KEC16MP/UN/SL... WITH MAX. PRESSURE VALVE / EXCLUSION / SEQUENCING - IN LINE MOUNTING

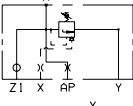


DIN STANDARD

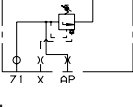
Weight: 1,3 Kg
The covers are supplied with M8x35 UNI 5931 fixing screws and reference pins dia \varnothing 3x12 UNI 6874-71



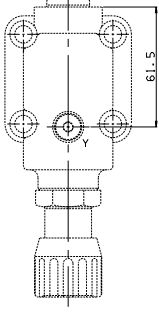
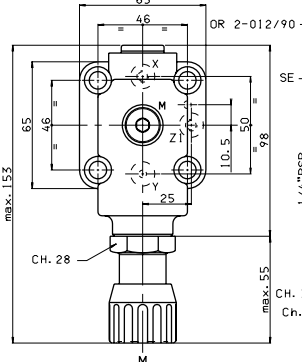
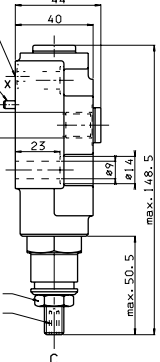
KEC16MP...




KEC16UN...



KEC16SL...

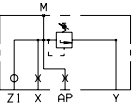




KEC25MP/UN/SL... WITH MAX. PRESSURE / EXCLUSION / SEQUENCING - IN LINE MOUNTING

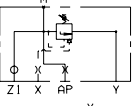


DIN STANDARD

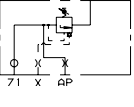
Weight: 1,8 Kg
The covers are supplied with M12x45 UNI 5931 and reference pins dia \varnothing 5x12 UNI 6874-71



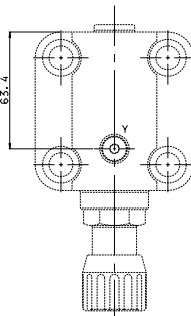
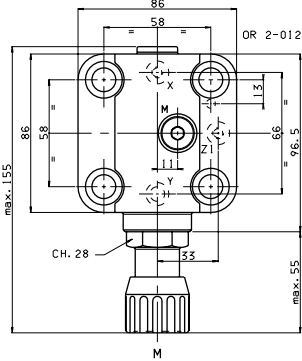
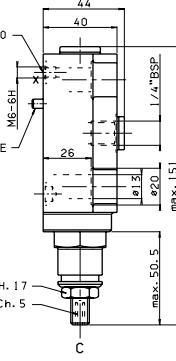
KEC25MP...




KEC25UN...



KEC25SL...

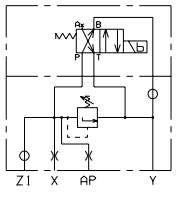




KEC16ME/UE WITH MAX. PRESSURE VALVE / EXCLUSION WITH INTERFACE CETOP 3 - IN LINE MOUNTING

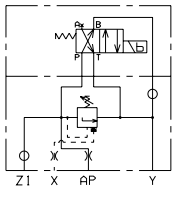


DIN STANDARD

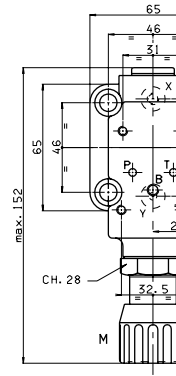
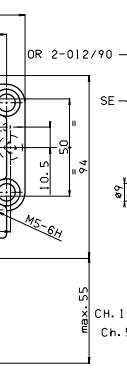
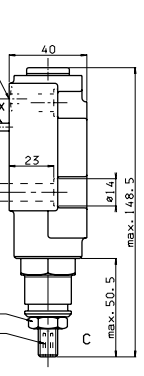
Weight: 1,3 Kg
The covers are supplied with M8x35 UNI 5931 fixing screws and reference pins dia \varnothing 3x12 UNI 6874-71




KEC16ME...



KEC16UE...

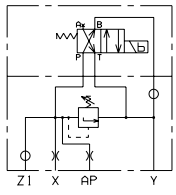




KEC25ME/UE WITH MAX. PRESSURE VALVE / EXCLUSION WITH INTERFACE CETOP 3 - IN LINE MOUNTING

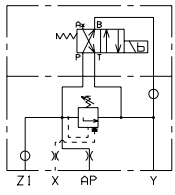


DIN STANDARD

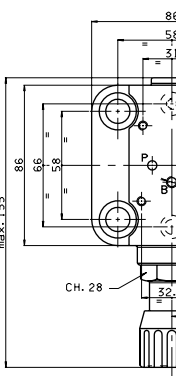
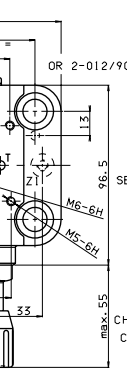
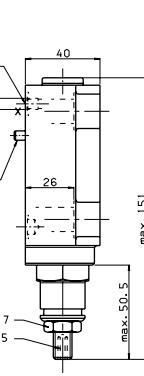
Weight: 1,8 Kg
The covers are supplied with M12x45 UNI 5931 fixing screws and reference pins dia \varnothing 5x12 UNI 6874-71



KEC25ME...



KEC25UE...

5