



BREVINI[®]

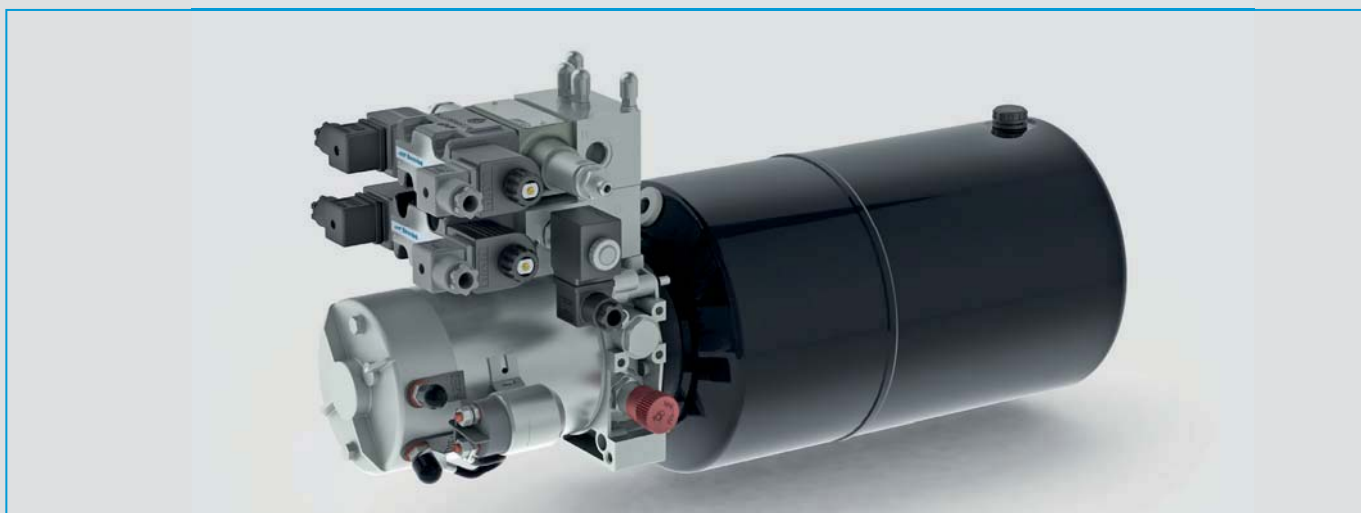
Motion Systems

MC HYDRAULIC POWER PACK

Technical Catalogue

May
2019

web edition





Introduction	2
Endhead configuration	3
Power pack sections	5
Selection code	6
Endhead overall dimensions	9
Cavities dimensions	10

SELECTIONS FOR "MCA-MCB" POWER PACK ENDHEAD

Endhead choice	11
Sect. I - MC Cavity 1	12
Sect. I - MC Cavity 1R	13
Sect. II - MC Cavity 2	14
Sect. II - MCA Cavity 3	17
Sect. II - MCB Cavity 3	20
Sect. II - MCA Cavity 4	21
Sect. II - MC Ports P-T	22

SELECTIONS FOR ALL POWER PACK ENDHEADS

Sect. III - Pumps	23
Sect. IV - Tanks / Sect. V - Tubes kit	25
Sect. VI - DC Motors	41
Sect. VI - AC Motors	47
Sect. VII - Transmission kit DC motors	53
Sect. VIII - Blocks and CETOP valves	55
Sect. IX - Accessories	59

Examples	60
-----------------------	-----------

© 2019 Dana Motion Systems Italia S.r.l. all rights reserved. Hydr-App, SAM Hydraulik, Aron, Brevini Hydraulics, BPE Electronics, VPS Brevini, OT Oiltechnology, logos are trademarks or are registered trademarks of Dana Motion Systems Italia S.r.l. or other companies Dana in Italy and other countries.

The technical features supplied in this catalogue are non binding and no legal action can be taken against such material. Dana will not be held responsible for information and specifications which may lead to error or incorrect interpretations. Given the continuous technical research aimed at improved technical features of our products, Dana reserves the right to make change that are considered appropriate without any prior notice. This catalogue cannot be reproduced (in whole or in part) without the prior written consent of Dana. This catalogue supersedes all previous ones.

Use of the products in this catalogue must comply with the operating limits given in the technical specifications. The type of application and operating conditions must be assessed as normal or in malfunction in order to avoid endangering the safety of people and/or items.



The MC series power pack is an easy-to-assemble, compact, electro-hydraulic unit. With its versatility and modularity, it offers many combinations of hydraulic circuits to suit various requirements of plant design. This catalogue has been written to help the user choose the components for the power pack required for the specific application. However, the catalogue cannot foresee all the combinations that may be executed, so in some cases it may be necessary to consult our commercial engineering department.

For applications with very complex circuits, standard modular blocks for Cetop valves and other special blocks can be installed on the power pack, or blocks built to order can be included.

A few applications:

- Fork lifts
- Lifting platforms and beds
- Automotive lifts
- Cranes for small trucks
- Snowplows
- Industrial automation (machine tools, food industry, textile industry)

You can choose from a wide variety of components with the following specifications:

- Gear pumps - Group 0.5 / 1 - from 0.25 to 9.8 cc.
- DC motors, 12/24 V, light-duty service, from 0.35 to 3 Kw
- Single and triple-phase motors with power ratings of up to 4 Kw - in a standard version or built to the customer's specifications (with minimum overall dimensions)
- Tanks in sheet steel with capacities of up to 25 litres
- Tanks in plastic with capacities of up to 10 litres

A fundamental part of the power pack is the endhead, which is made of die-cast aluminum alloy. The parts and dimensions of this component are shown below.

Operating limits

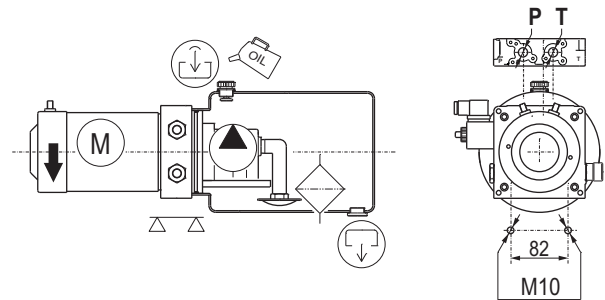
- Intermittent peak pressure: 290 bar (depending on pump type)
- Maximum flow rate: 20 l/min
- Maximum operating temperature:
 - 80°C (with sheet steel tank)
 - 70°C (with polyethylene tank)
 - 60°C (with polypropylene tank)
- Mineral-based hydraulic fluid: ISO 6743-4 (DIN 51524)
 - Minimum viscosity: 12 mm²/s
 - Maximum viscosity: 80 mm²/s
 - Maximum viscosity at start-up: 500 mm²/s
- Minimum ambient temperature -15°C
- Maximum ambient temperature 40°C (with peaks of 50°C)
- The validation of the endhead follows a life-test with 210 bar pulsed pressure repeated for 200.000 cycles



Operating pressure is controlled by the maximum pressure valve and the type of pump used (in terms of performance) may be determined by the maximum pressure valve. Therefore, it is essential not to change the maximum pressure valve. If necessary, contact our technical service department.

Installation

- 1) The power pack must be mounted using the M10 holes on the endhead.
- 2) The power pack must not come into contact with sheet metal, protective guards or any parts that may vibrate and transmit noise.
- 3) The ports on the endhead have been identified by the letters A-B-C. The hydraulic connection must be made with fittings with cylindrical thread and with copper or rubber sealing gaskets (O-rings).
- 4) After the electrical connections have been made, check the direction of motor rotation by executing short pulses of 1 second each (max.): the motor must turn anti-clockwise, as shown in the figure.



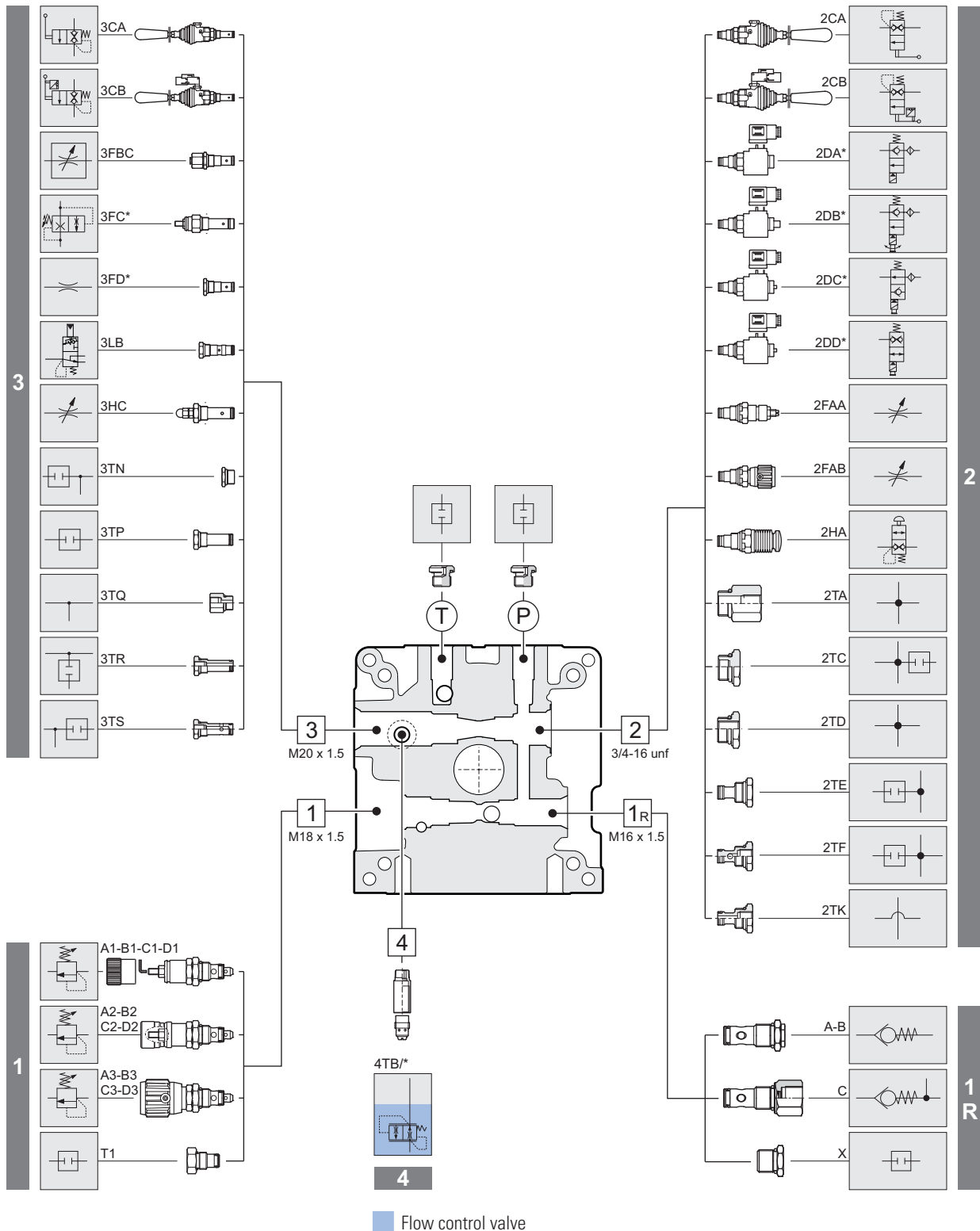
The tank must be filled with new mineral-based, ISO 6743/4 fluid: it is important to filter the fluid while filling the tank.

Symbols used in this catalog:

	Important data/information
	Mounting endhead side
	Ground floor
	Electrical connection boxes on AC motors
	Poles and/or starting relays on DC motors
	Fill plug with breather and level stick
	Fill plug with breather
	Standard plug (closed)
	Standard oil fill plug
	Fill plug with breather
	Fill plug
	Fill plug with check valve
	Fill plug with back check
	Drain plug with magnet
	Plug (or level stick) with visual indicator
	Drain plug
*	Fields to be completed

Power pack endhead configuration

MCA

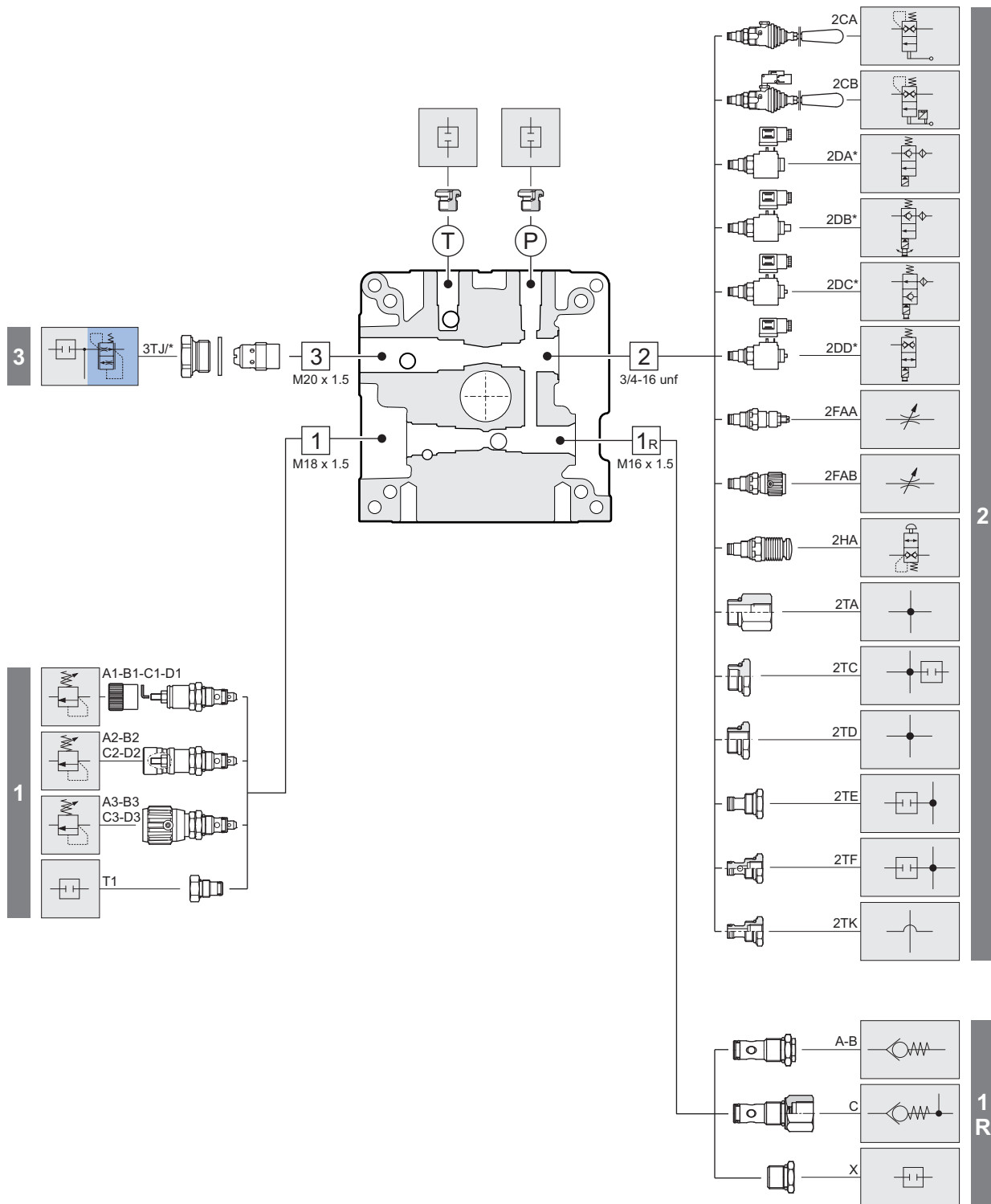


The possible configurations of the MC power pack are determined by the body machining.

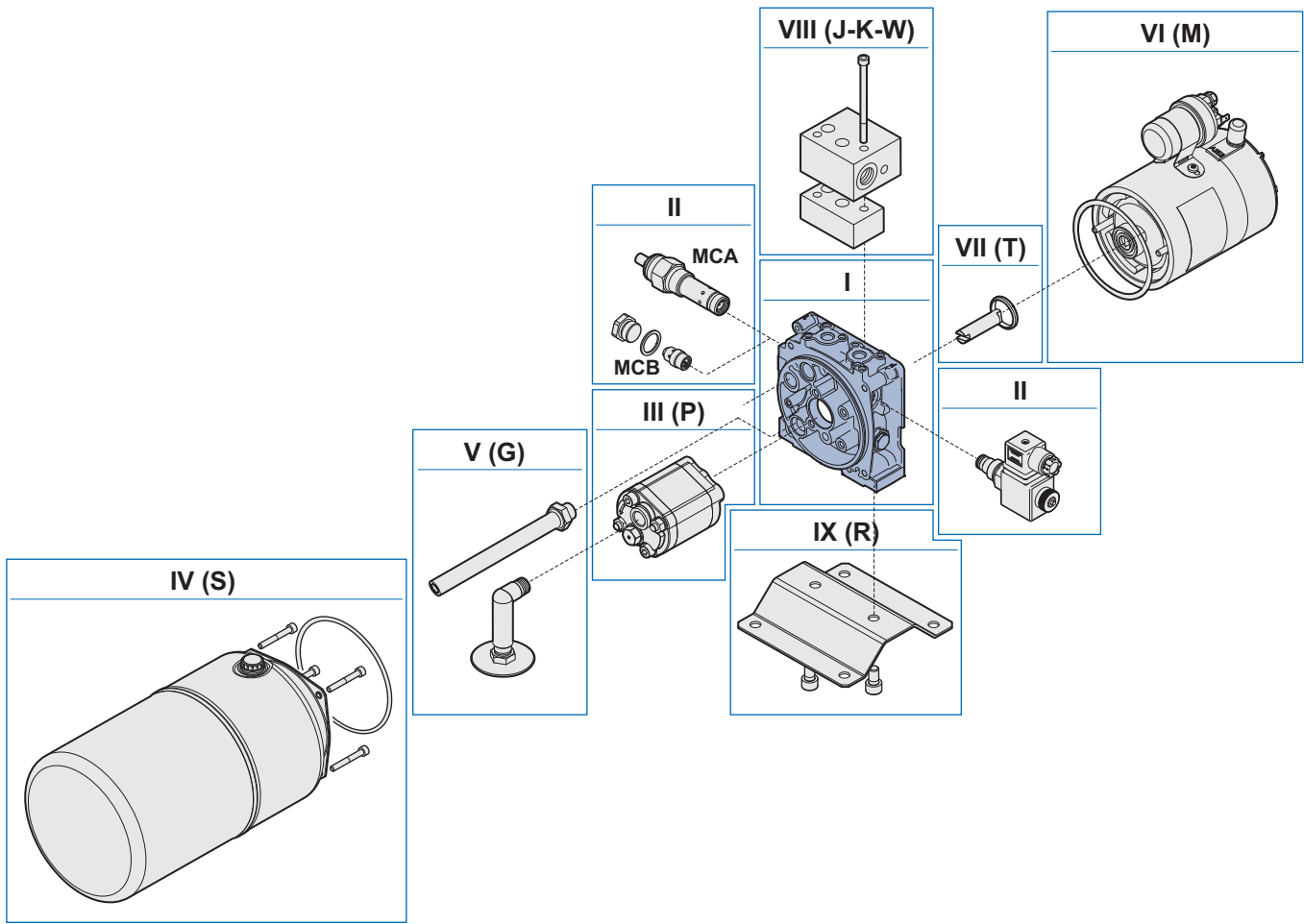
MCA flange allows the mounting of controls and flow regulators in the **cavity 3** and fixed setting flow control valve on **cavity 4**.

Power pack endhead configuration

MCB



The possible configurations of the MC power pack are determined by the body machining.
MCA flange allows the mounting of controls and flow regulators fixed setting in the **cavity 3**.



With its great modularity, the MC series of power packs can create multiple configurations which satisfy requirements in a wide range of applications. To make it easier to choose components, the power pack is subdivided into sections.

SECTION I - SERIE, FLANGE TYPE, VALVES ON CAVITY 1 AND 1R

MC Series Powerpacks are based on the Flange features. The Flange is the core of the unit, on the flange are mounted all the valves, the pump, the motor and the reservoir. The MC Flange is available in several Versions (with different tooling options). The Flange Version must be chosen depending on the type of Hydraulic Circuit Layout required. Together with the Flange Version, it is required to select the Valves to be mounted in the Various Cavities. 1 (Main Pressure Relief Valve).

SECTION II - VALVES

Depending on the Type of Hydraulic Circuit Layout to be realized, it is required to Select the Valves for each of the available Cavities. In order to correctly build up the Ordering Code, it is required to use the following procedure. Peripheral Cavities (it is mandatory to mention all the Cavities in Numeral Order): starting from Cavity 2, mention all the Cavities and the Valves, Plugs or Fittings to be mounted in said Cavity. Internal Cavities, mention the Internal Cavities where a Valve (usually a Return Line Valve) is mounted. Outputs, see description in the Table.

SECTION III - PUMPS

It is mandatory to mention this section, defined by the letter P. Depending on the required features, select the pump from the table provided.

SECTION IV - TANKS

This section is defined by the letter S.

Depending on the required features, select the reservoir from the list provided. If no Reservoir is required, and also no Suction / Return Kit is required, please omit this section.

If no Reservoir is required, but a Suction / Return Kit is required, please jump to Section V (defined by letter G).

SECTION V - TUBES KIT (suction and return, only for tanks on the catalog)

This section is defined by the letter G. In order to define this Section, please select the Reservoir Type anyways.

SECTION VI - MOTORS

This section is defined by the letter M. Depending on the Type of Hydraulic Circuit Layout to be realized, it is required to Select the Motor Type. If no Motor is required, and no Transmission Kit is required, please omit this section. If no Motor is required, but a Transmission Kit is required, please jump to Section VII (defined by letter T).

SECTION VII - TRANSMISSION KIT (only for motors on the catalog)

This section is defined by the letter T. Select the kit as per Table provided.

SECTION VIII - BLOCKS

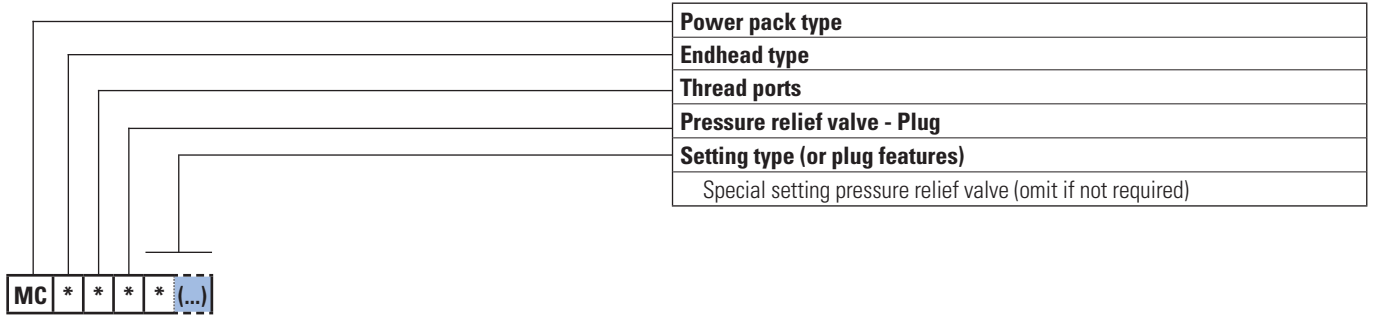
This section it is not mandatory, depending on the type of auxiliary block required, the letter J, identifies blocks with interface for CETOP valves.

SECTION IX - ACCESSORIES

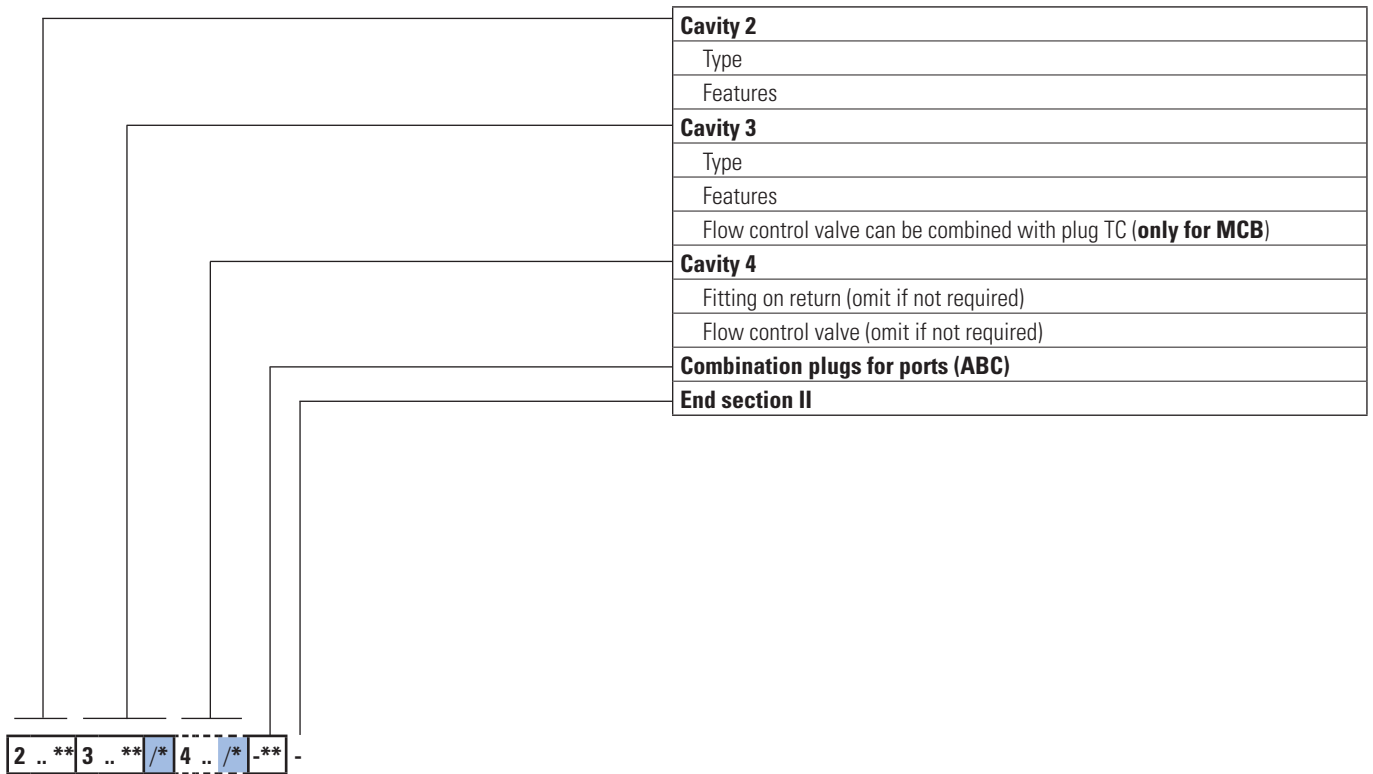
This section it is not mandatory, is defined by the letter R. Check the available options in the list provided. Accessories must be listed in Alphabetical Order.

SECTION I - SERIE, ENDHEAD, VALVES ON CAVITY 1 AND 1R

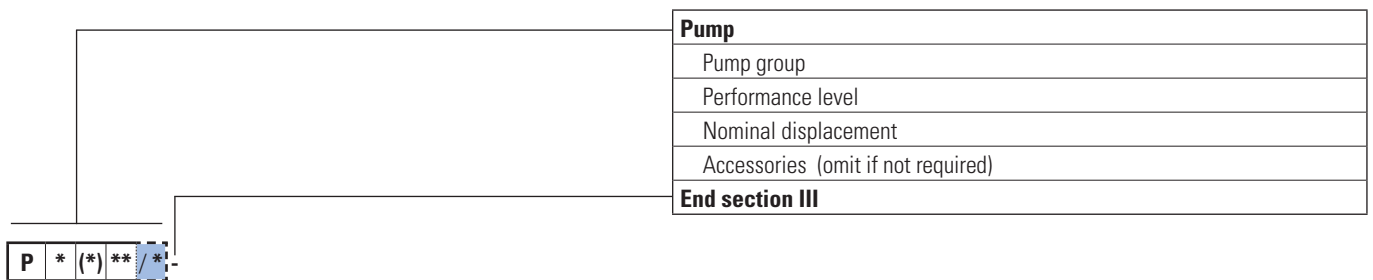
i



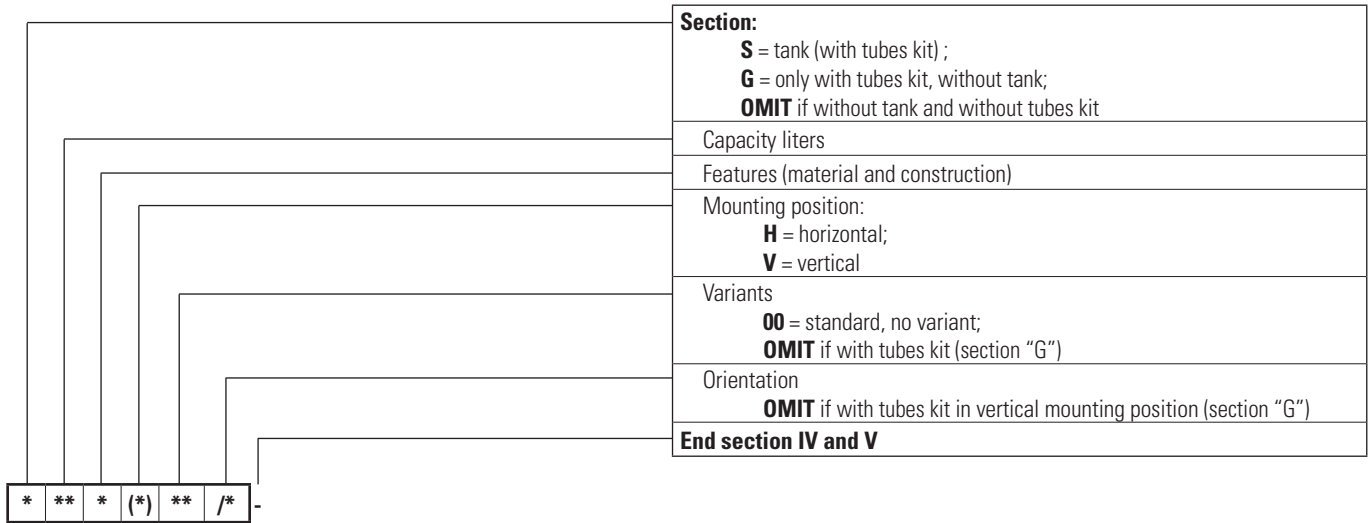
SECTION II - VALVES



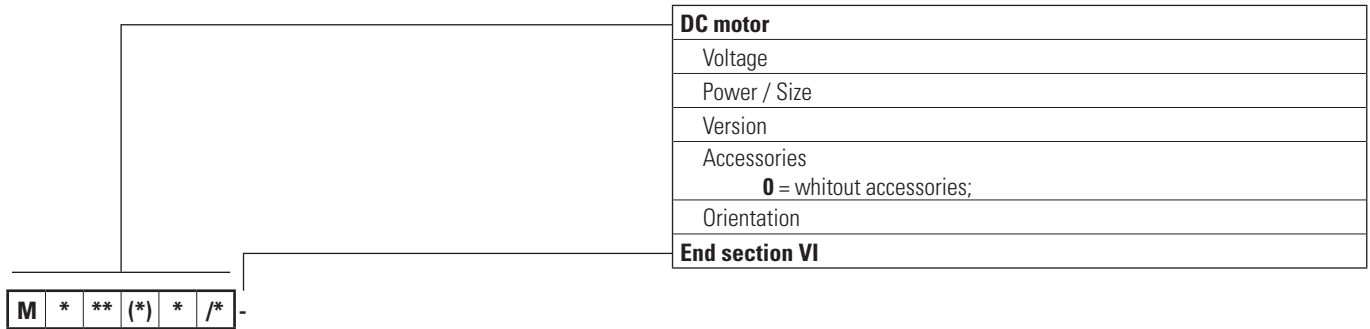
SECTION III - PUMPS



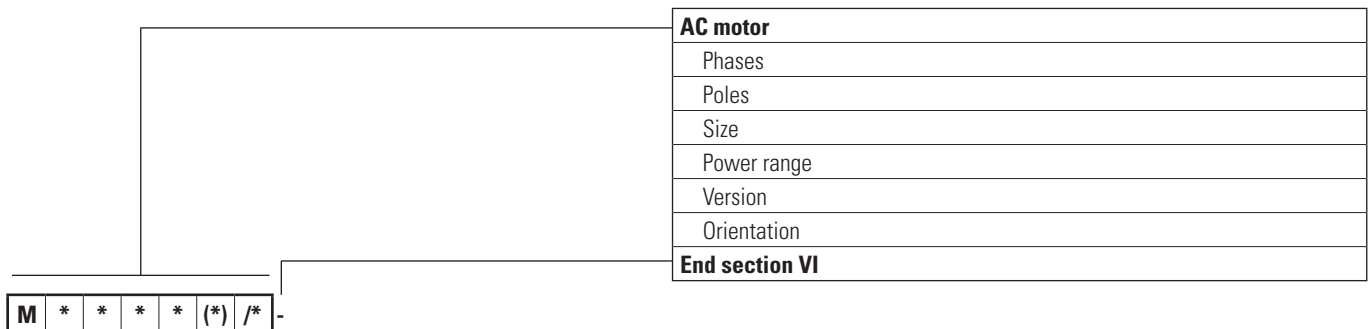
SECTION IV - TANKS / SECTION V - TUBES KIT



SECTION VI - MOTORS

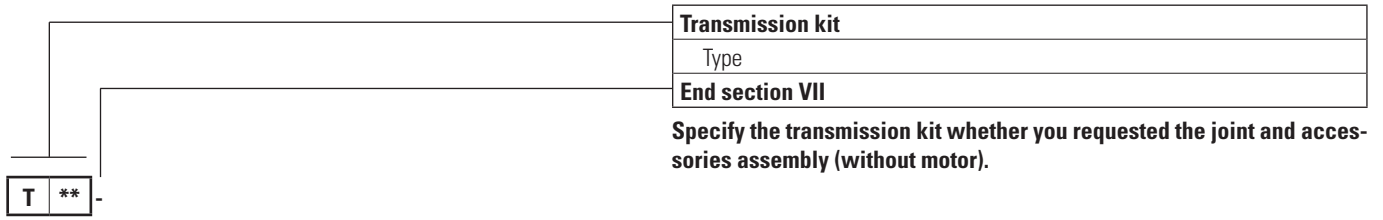


OR ..

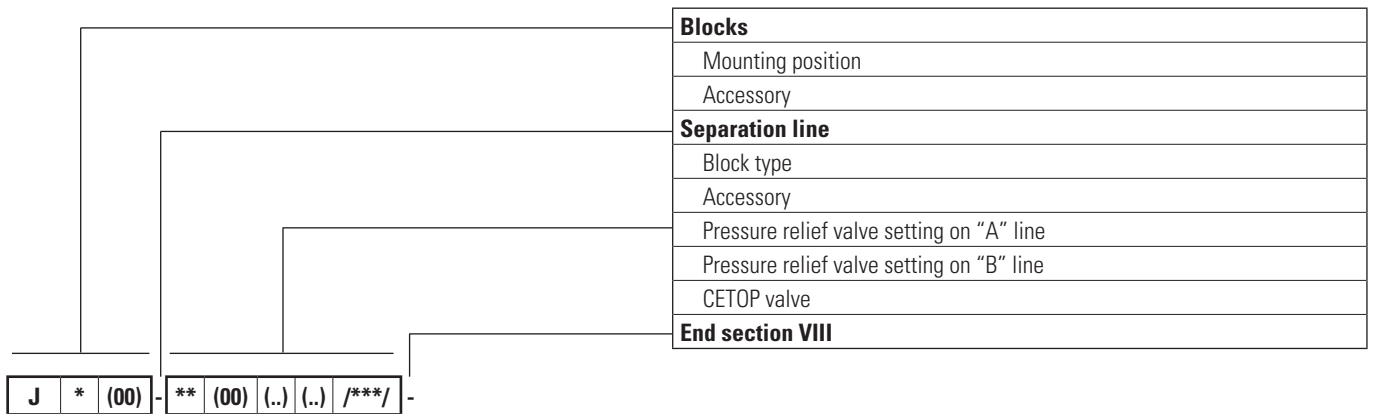


SECTION VII - TRANSMISSION KIT (only for motors on the catalog)

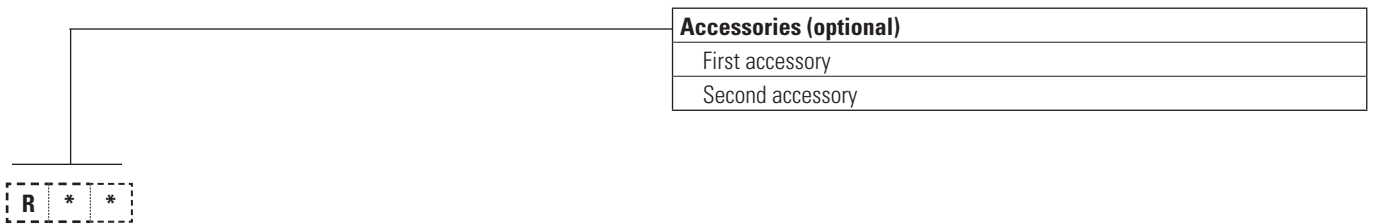
i



SECTION VIII - BLOCKS



SECTION IX - ACCESSORIES



Endhead overall dimensions

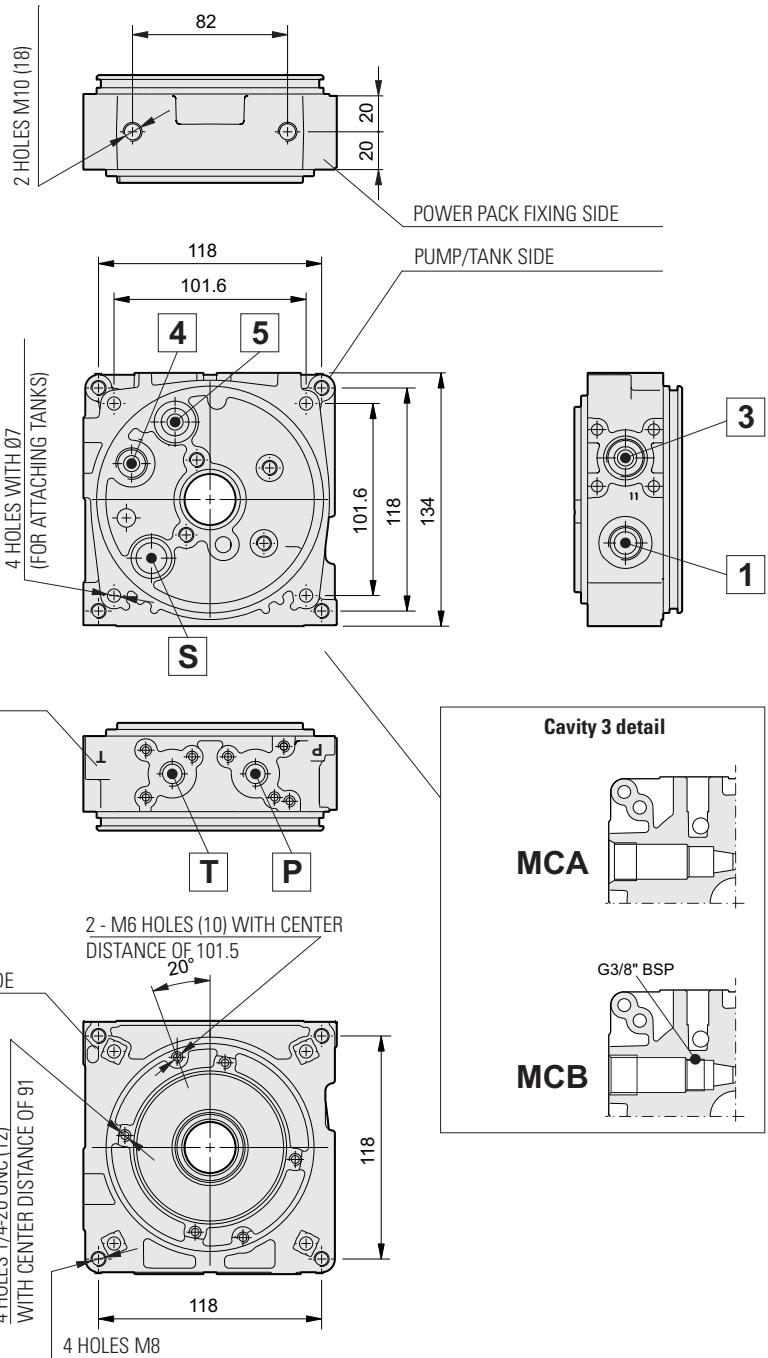
Cavities on endhead:

Cavity	Thread	Endhead type		
		MCA	MCB	
P T Ports	G1/4"	•(1)	•(1)	
	G3/8"	•	•	
	7/16" 20 UNF	•	•	
	9/16" 18 UNF	•	•	
1	Peripheral	M18 x 1.5	•	•
1R	Peripheral	M16 x 1.5	•	•
2	Peripheral	3/4" 16 UNF	•	•
3	Peripheral	M20 x 1.5	•	•(2)
4	Primary return	G3/8"	•	•
5	Secondary return	Ø 14 not thread	•	•
S	Press. relief valve return	Ø 12,5 not thread	•	•

1) blocks interface
 2) end cavity tooled G3/8" for flow regulator VSC06
 3) return from T (ex. blocks)

The number of cavities tooled identify the endhead type:

- There are three types of cavities:
- **Peripheral cavities**, which can be accessed externally
 - **Return cavities**, inside of the tank.
 - **Ports**

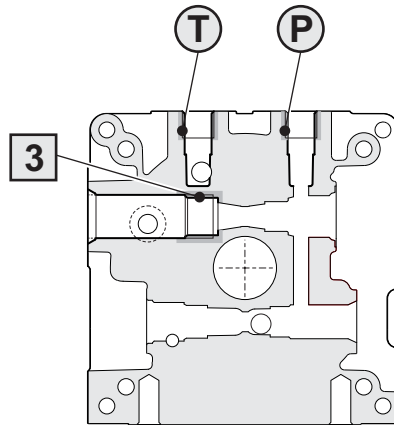
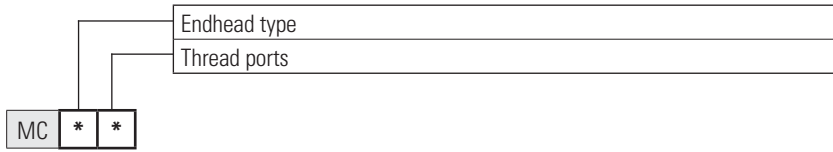


On the endhead are highlighted (P-T) ports. In the drawing are shown the common dimensions.

Cavities dimensions

i

Cavity		Thread	Drawing
1	Peripheral	M18 x 1.5	<p>CN037004</p>
1R	Peripheral	M16 x 1.5	<p>CN041007</p>
2	Peripheral	3/4 16 UNF	<p>3A</p>
3 MCA	Peripheral	M20 x 1.5	<p>1C</p>
3 MCB	Peripheral	M20 x 1.5	<p>1P</p>



The machining of the **cavity 3** and the **P-T** ports define the body type.

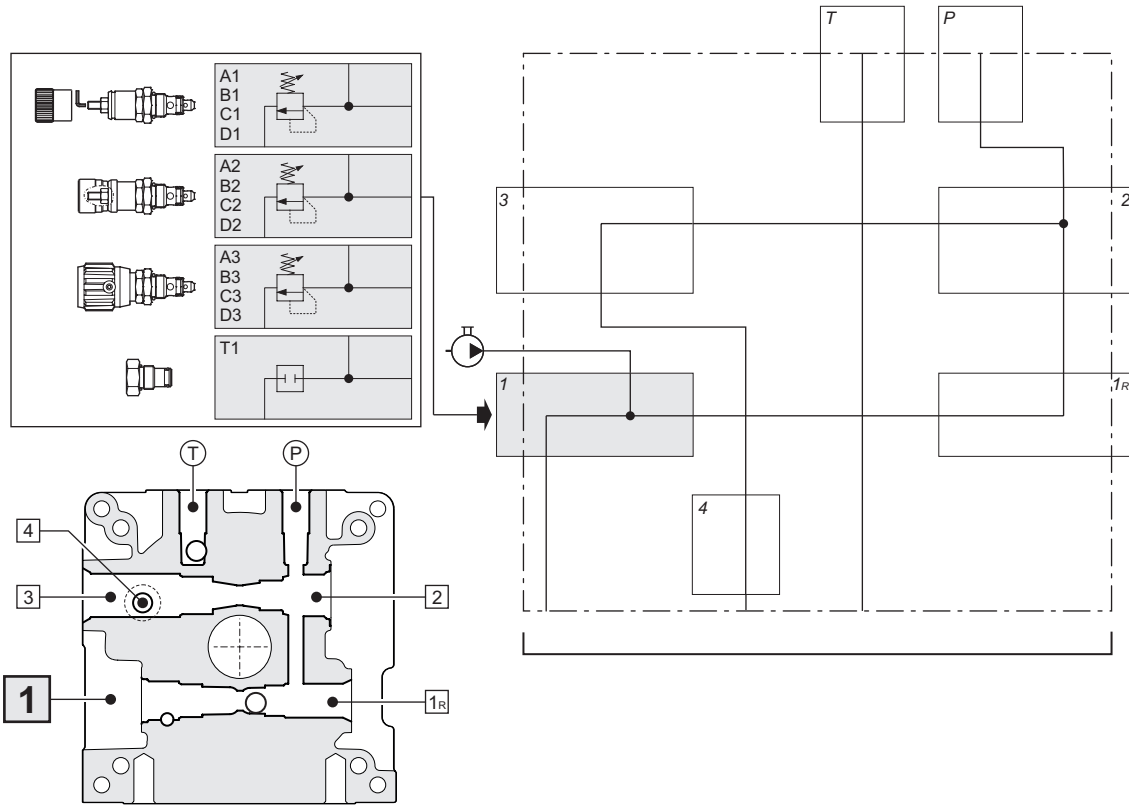
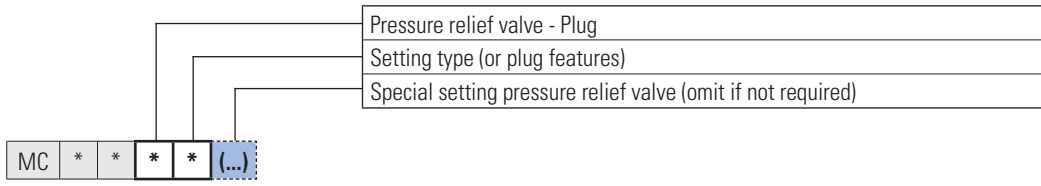
***** *Endhead type*

*	Description
A	For manual controls, flow regulators, logic valves on cavity 3 (Old commercial description MC)
B	For flow regulator VSC06 (3/8" BSP) on cavity 3 (Old commercial description MS)

***** *Thread ports P-T"*

*	Ports thread				Blocks interface
	G1/4"	G3/8"	9/16" 18 UNF	7/16" 20 UNF	
0	YES				YES
1		YES			NO
2			YES		NO
3				YES	NO

	Endhead codes			
	G1/4"	G3/8"	7/16" 20 UNF	9/16" 18 UNF
MCA	71013000.000	71013001.000	—	71013022.000
MCB	71013003.000	71013005.000	71013007.000	—



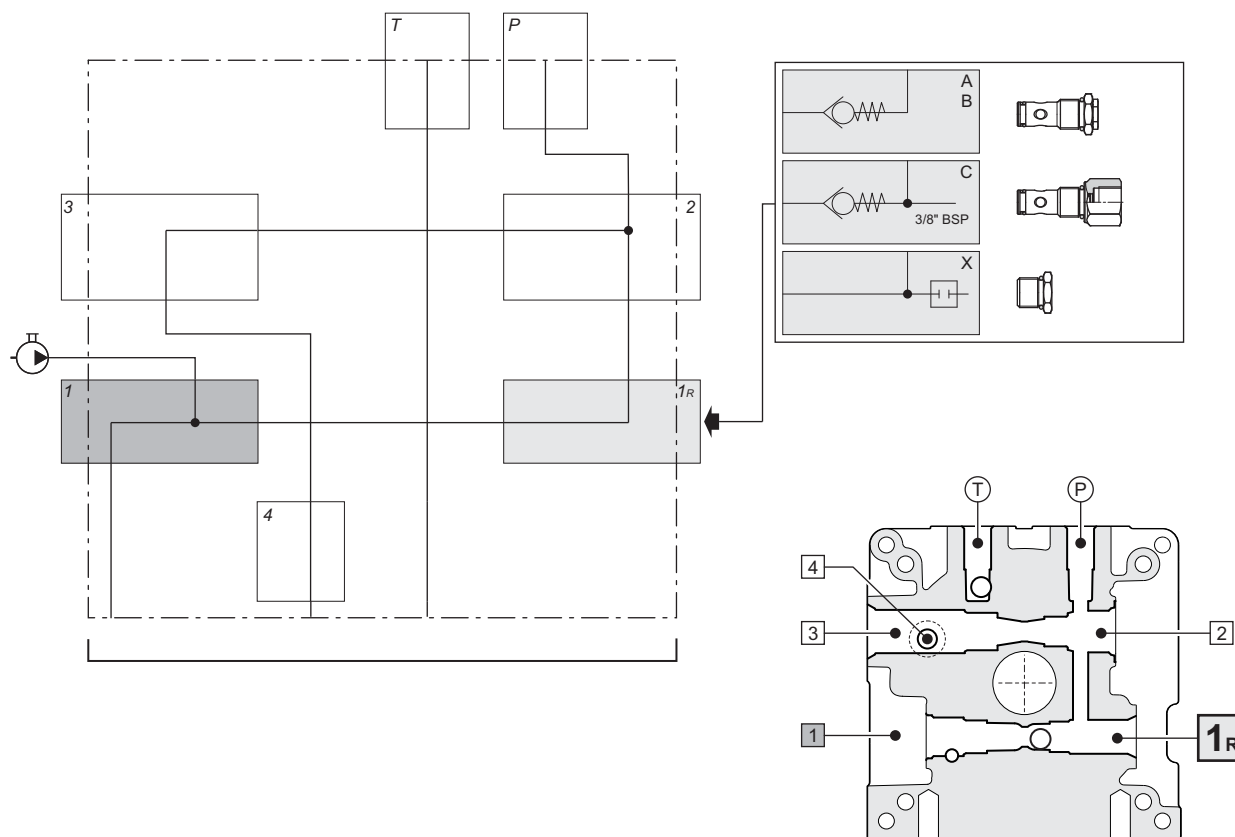
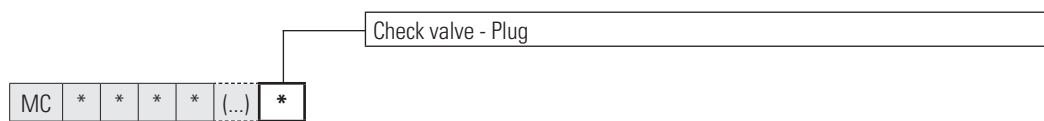
* * (...) Pressure relief valve direct-acting

* *	Pressure (bar)	STD setting (bar)	(...) Special setting (bar)	Setting type	Code	Symbol	Drawing
A	15 ÷ 50	30	15 ÷ 50 (5 to 5)	Detachable closing	CPMC04S0001		
				Non removable closing (1)	CPMC04P0001		
				Plastic knob	CPMC04M0001		
B	35 ÷ 110	50	35 ÷ 110 (5 to 5)	Detachable closing	CPMC04S1001		
				Non removable closing (1)	CPMC04P1001		
				Plastic knob	CPMC04M1001		
C	75 ÷ 220	150	75 ÷ 220 (5 to 5)	Detachable closing	CPMC04S2001		
				Non removable closing (1)	CPMC04P2001		
				Plastic knob	CPMC04M2001		
D	160 ÷ 290	180	160 ÷ 290 (10 to 10)	Detachable closing	CPMC04S3001		
				Non removable closing (1)	CPMC04P3001		
				Plastic knob	CPMC04M3001		

1 = Supplied assembled. Unassembled, see accessories page 59

* * Plug

* *	Description	Code	Symbol	Drawing
T 1	Closed plug to replace pressure relief valve	20001600		



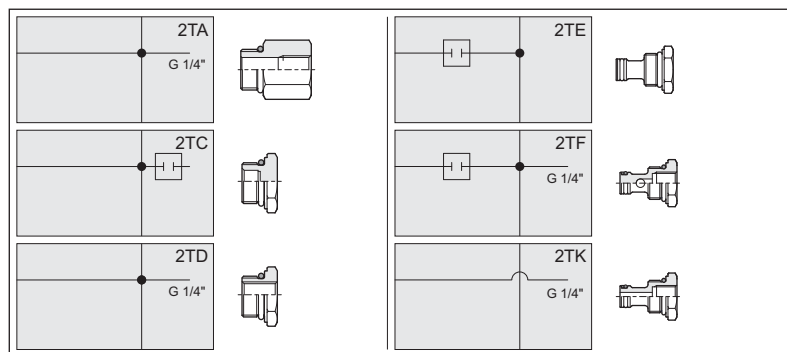
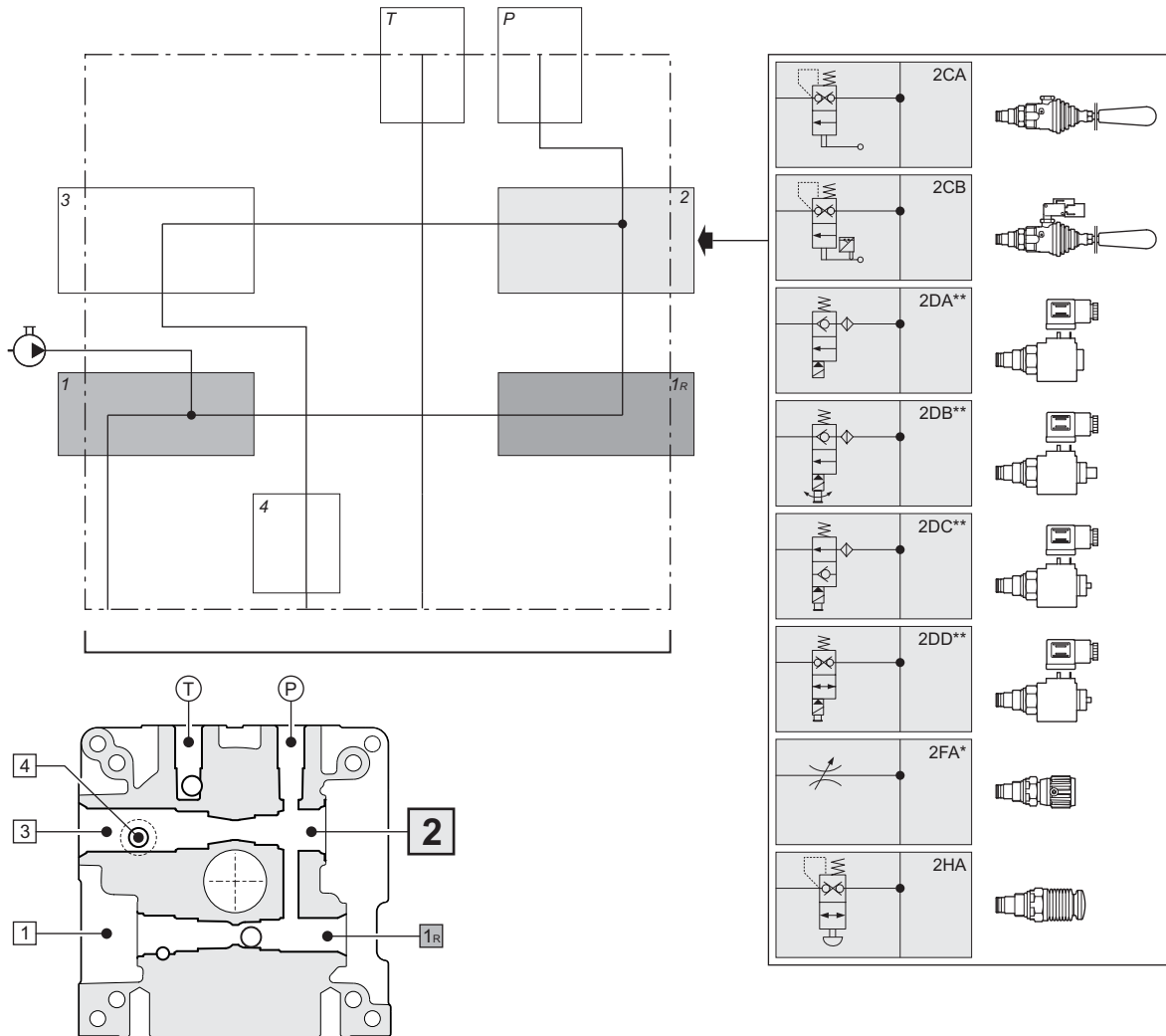
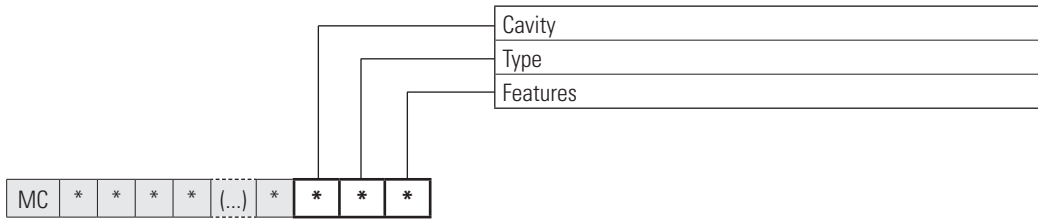
*** Check valve**

* Description	Code	Symbol	Drawing
A Standard	20020400		
B Pre-setting 2 bar	20012000		
C With outlet 3/8" BSP	20023900		

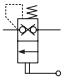

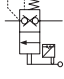
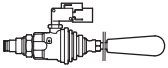
*** Plug**

* Description	Code	Symbol	Drawing
X Plug to replace check valve	20006100		

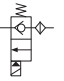
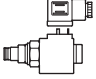
Sect. II - MC Cavity 2



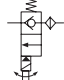
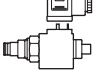
2 C * *Lever operated valve*

*	Description	Code	Symbol	Drawing
A	Without microswitch	CMF04L001		
B	With microswitch	CMF04M001		

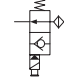
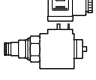
2 DA ** *Piloted solenoid valves normally closed, without emergency (1)*

**	Description	Code (valve + connector)	Symbol	Drawing
AA	Voltage 12 Vdc	CRP0418NCASL003 + V86050002		
AB	Voltage 24 Vdc	CRP0418NCASM003 + V86050002		
AC	Voltage 24 Vac 50 Hz	CRP0418NCASA003 + V86050002		
AD	Voltage 115 Vac 50 Hz	CRP0418NCASJ003 + V86050002		
AE	Voltage 230 Vac 50 Hz	CRP0418NCASI003 + V86050002		

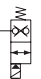
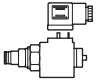
2 DB ** *Piloted solenoid valves normally open, with rotary emergency (1)*

**	Description	Code (valve + connector)	Symbol	Drawing
AA	Voltage 12 Vdc	CRP0418NCAEL003 + V86050002		
AB	Voltage 24 Vdc	CRP0418NCAEM003 + V86050002		
AC	Voltage 24 Vac 50 Hz	CRP0418NCAEA003 + V86050002		
AD	Voltage 115 Vac 50 Hz	CRP0418NCAEJ003 + V86050002		
AE	Voltage 230 Vac 50 Hz	CRP0418NCAEI003 + V86050002		

2 DC ** *Piloted solenoid valves normally open, with button emergency (1)*




**	Description	Code (valve + connector)	Symbol	Drawing
AA	Voltage 12 Vdc	CRP0418NAAEL003 + V86050002		
AB	Voltage 24 Vdc	CRP0418NAAEM003 + V86050002		
AC	Voltage 24 Vac 50/60 Hz (RAC with rectifier)	CRP0418NAAE2003 + V86200002		
AD	Voltage 115 Vac 50 - 120 Vac 60 Hz (RAC with rectifier)	CRP0418NAAEZ003 + V86200002		
AE	Voltage 230 Vac 50 - 240 Vac 60 Hz (RAC with rectifier)	CRP0418NAAEX003 + V86200002		
AF	Voltage 48 Vdc	CRP0418NAAEN003 + V86050002		

2 DD ** *Direct operated solenoid valve normally closed, with button emergency (1)*

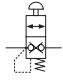

**	Description	Code (valve + connector)	Symbol	Drawing
AA	Voltage 12 Vdc	CRD0418NCAEL002 + V86050002		
AB	Voltage 24 Vdc	CRD0418NCAEM002 + V86050002		

1 = Valves supplied with connector. Without connector see accessories page 59







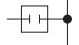
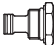
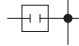



2 FA * Bidirectional flow control valves not compensated

* Description	Code	Symbol	Drawing
A Screw adjustment	CSB04C0000		
B Plastic knob adjustment	CSB04V0000		

2 H * Button operated valves

** Description	Code	Symbol	Drawing
A Push-button control	CPE04P000.1		

2 T * Plugs and fittings

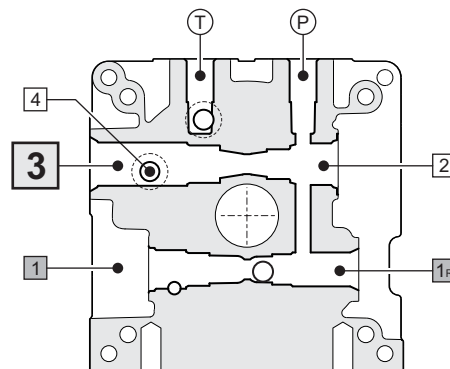
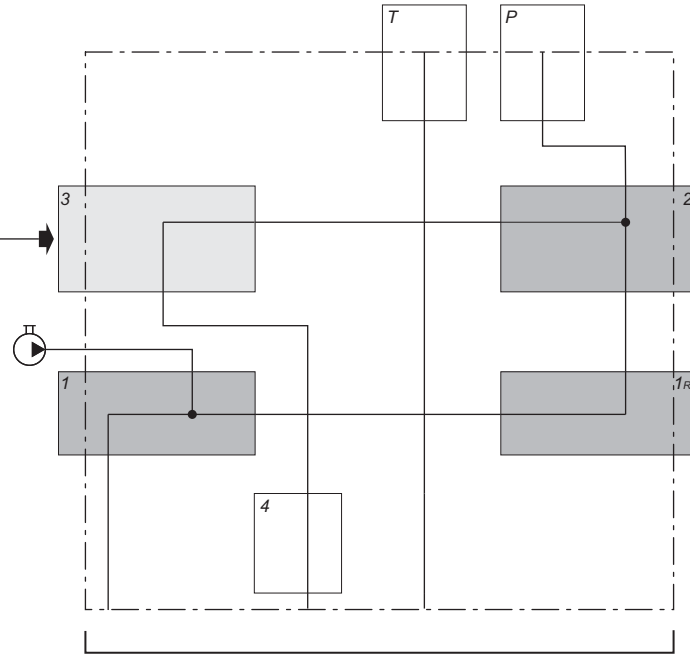
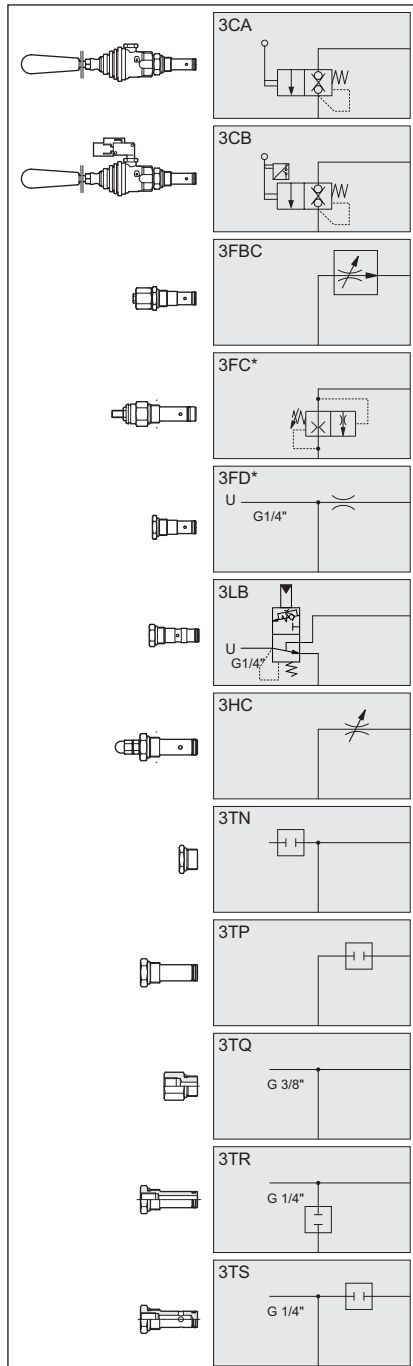
* Description	Code	Symbol	Drawing
A Fitting 3/4 16 UNF - G1/4	20012100		
C Plug 3/4 16 UNF	R78150099		
D Fitting 3/4 16 UNF - G1/4	20001700		
E Long plug 3/4 16 UNF	20003800		
F Fitting 3/4 16 UNF - G1/4	20009400		
K Fitting 3/4 16 UNF DIN - G1/4	20018000		

Sect. II - MCA Cavity 3

Cavity
Type
Features

Components only for MCA

MC **A** * * * * (...) * * * * * * * *



II
MCA

3 C * *Lever operated valve*

* Description	Code	Symbol	Drawing
A Without microswitch	CMT044L0001		
B With microswitch	CMT044M0001		

3 FB * *Adjustable unidirectional flow control valve compensated*

* Description	Setting	Code	Symbol	Drawing
C Screw adjustment	0.5 ÷ 22 l/min	21000020.000		

3 FC * *Adjustable flow control valve compensated (type VRFE)*

* Description	Setting	Code	Symbol	Drawing
A B C Screw adjustment	2 ÷ 3,5 l/min	20019800		
	5 ÷ 7,5 l/min	20019900		
	8,5 ÷ 13,5 l/min	20020000		

3 FD * *Flow control valve*

* Description	Ø hole	Code	Symbol	Drawing
A B C With G 1/4"	0,7 mm	20020300		
	0,9 mm	20017500		
	1 mm	20014400		

3 LB * *Logic valve with chek valve*

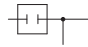

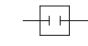
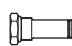


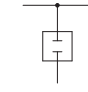


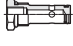
* Description	Code	Symbol	Drawing
A Out G 1/4"	20024100		

3 H * *Flow control valve not compensated*

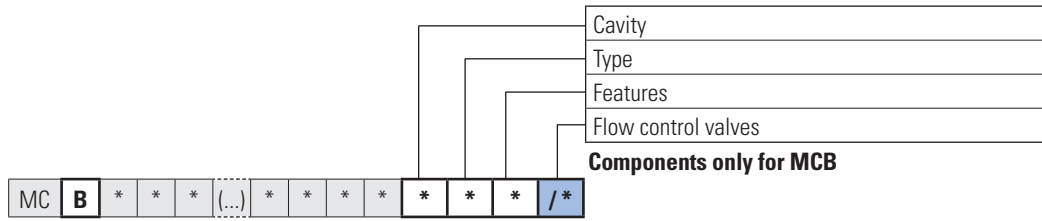
* Description	Code	Symbol	Drawing
C Screw adjustment	20003900		

Sect. II - MCA Cavity 3

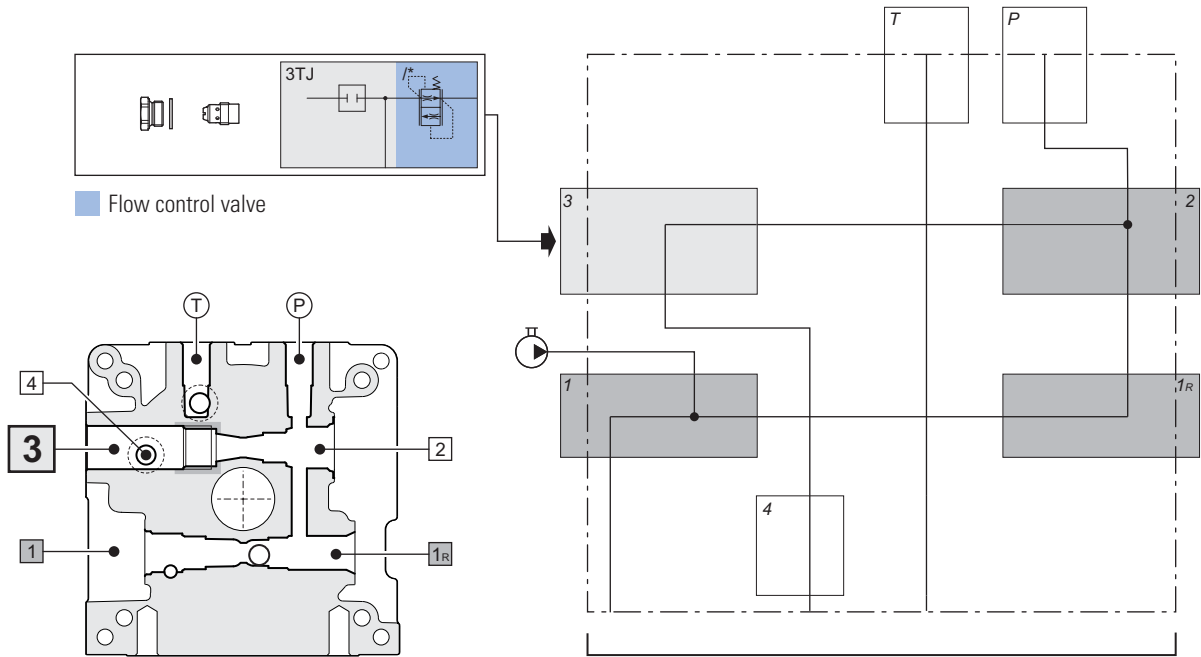
3 T * *Plugs and fittings*

*	Description	Code	Symbol	Drawing
N	Plug	20002200		
P	Long plug	20001100		
Q	Fitting G3/8"	20022800		G3/8" 
R	Long fitting G1/4"	20007900		G1/4" 
S	Return line fitting G1/4"	20001400		G1/4" 

II
MCA

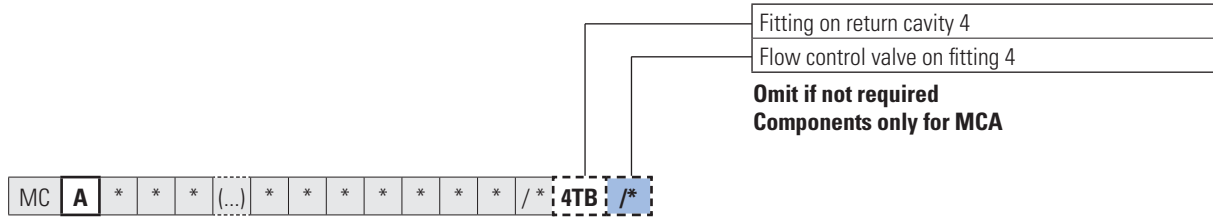


II
MCB

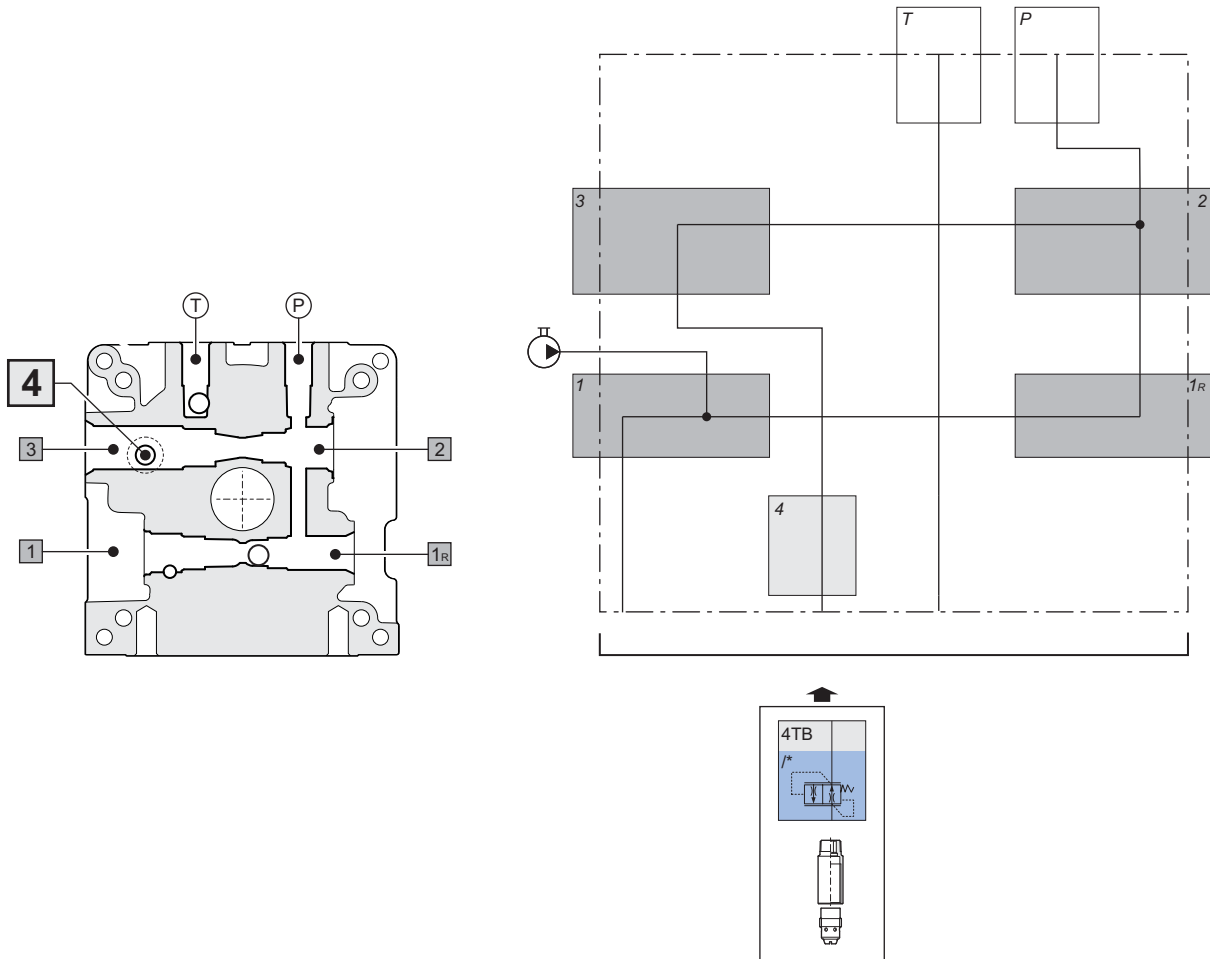


3 TJ /* *Plug with flow control valve*

/*	Flow	Code (flow control valve)	Code (kit plug + washer)	Simbol	Drawing
/A	0.7 l/min	VSC06100002	17010085		
/B	1.1 l/min	VSC06120002			
/C	2.1 l/min	VSC06130002			
/E	3.2 l/min	VSC06150002			
/G	4.7 l/min	VSC06190002			
/K	6.3 l/min	VSC06220002			
/N	7.5 l/min	VSC06240002			
/Q	10.0 l/min	VSC06280002			
/U	13.2 l/min	VSC06330002			
/V	15.7 l/min	VSC06350002			



Componenti solo per MCA

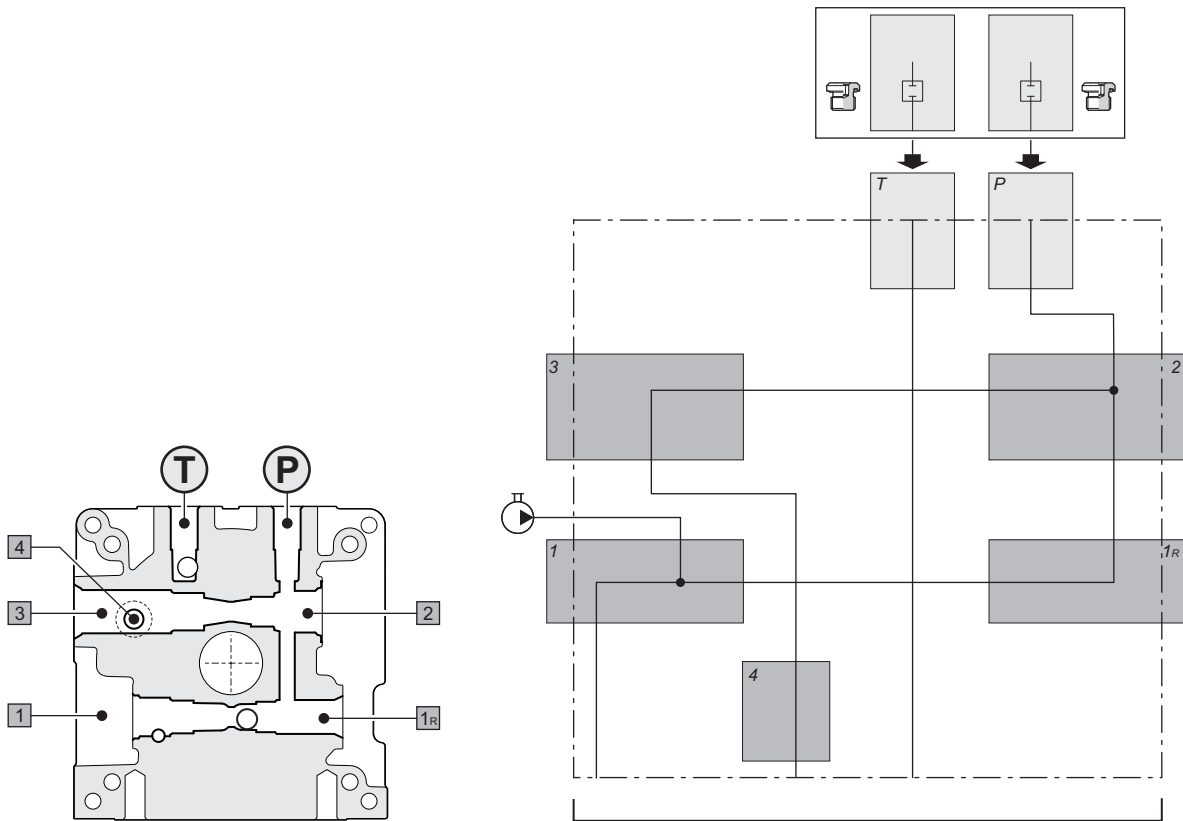
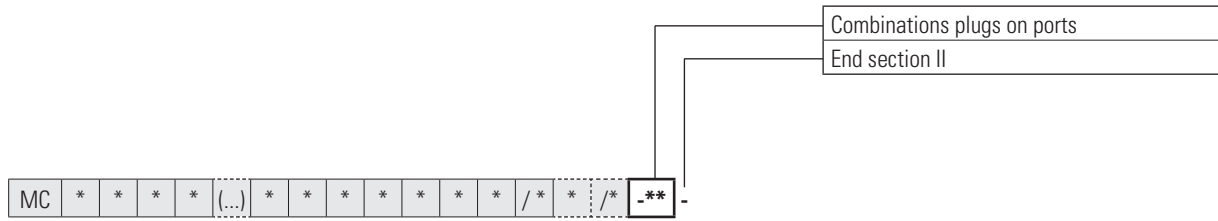


II
MCA

Any fitting and flow control valve on cavity 4

4 TB /* **Fitting and flow control valve**

/*	Flow	Code (flow control valve)	Code (fitting for flow control valve)	Simbol	Drawing
/A	0.7 l/min	VSC06100002	M67250053		
/B	1.1 l/min	VSC06120002			
/C	2.1 l/min	VSC06130002			
/E	3.2 l/min	VSC06150002			
/G	4.7 l/min	VSC06190002			
/K	6.3 l/min	VSC06220002			
/N	7.5 l/min	VSC06240002			
/Q	10.0 l/min	VSC06280002			
/U	13.2 l/min	VSC06330002			
/V	15.7 l/min	VSC06350002			

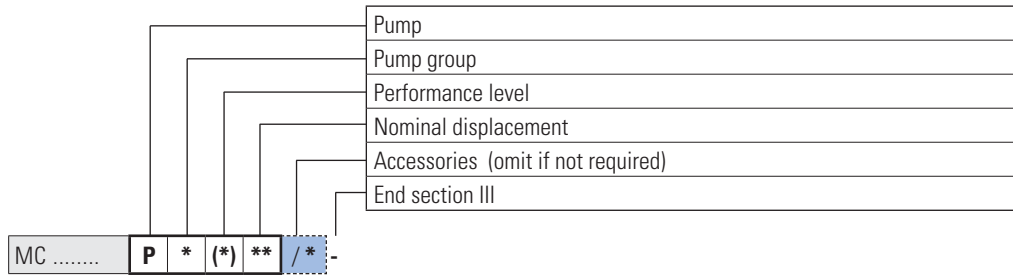


-** Combinations plugs on ports P-T

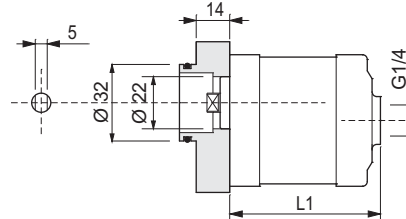
-**	P	T
-00	↑	↑
-02	⊗	↑
-03	↑	⊗
-06	⊗	⊗

Symbols description

Type	Description	Thread	Code	Symbol	Drawing
⊗	Port closed with plug	G 1/4"	20024000		
		G 3/8"	Q26622255 (plug) + Q51435044 (washer)		
		7/16" 20 UNF	TJ08072000		
		9/16" 18 UNF	TJ08091800		
↑	Port open		—	—	—



P 0 (1) ** **Pumps group 05 - Performance level 1**

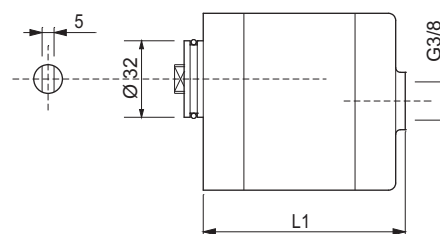


**	Nominal displacement	Tolerance on geometric displacement	P2 bar	P3 bar	Code complete kit	L1 mm	Tanks not compatible (•)				Motors not compatible
							S01A	S09E	S02G	All	
							(H) (V)	(H) (V)	(H) (V)	(H) (V)	
02	0.25 cc	0.25 ÷ 0.33	230	270	17050037.035	54					M4FB(1) - M4GJ(1) MM*PA(1) M*AA(1)D - M*AA(1)G M*AA(1)H M*AB(1)D - M*AB(1)G M*AB(1)H
04	0.45 cc	0.45 ÷ 0.55	230	270	17050036.035	55.7					
05	0.56 cc	0.56 ÷ 0.68	230	270	17050039.035	56.7		•	•		
07	0.75 cc	0.69 ÷ 0.82	230	270	17050038.035	58.5		•	•		
09	0.92 cc	0.83 ÷ 0.95	230	270	17050053.035	59.8		•	•		

P2 = Intermittent operating pressure
 P3 = Intermittent peak pressure (20 sec. max)

Tanks not compatible (as dimensions, see page 25)
 Motors not compatible (interface and transmission not supplied, see pages 41 - 47)

P 1 (1) ** **Pumps group 1 - Performance level 1**



**	Nominal displacement	Tolerance on geometric displacement	P2 bar	P3 bar	Code complete kit	L1 mm	Tanks not compatible (•)				
							S01A	S09E	S02G	All	
							(H) (V)	(H) (V)	(H) (V)	(H) (V)	
07	0.80 cc	0.69 ÷ 0.82	170	210	17050107.018	72.4		•			
10	1.00 cc	0.96 ÷ 1.09	170	210	17050088.018	73.5		•			
12	1.20 cc	1.10 ÷ 1.30	250	290	17050005.018	74.8		•			
17	1.70 cc	1.50 ÷ 1.70	250	290	17050006.018	76.2		•			
22	2.20 cc	2.10 ÷ 2.30	250	290	17050007.018	78.2		•			
26	2.60 cc	2.50 ÷ 2.70	250	290	17050008.018	79.7		•	•		
32	3.20 cc	3.10 ÷ 3.32	250	290	17050009.018	82.0		•	•		
38	3.80 cc	3.60 ÷ 3.99	250	290	17050010.018	84.0		•	•		
43	4.30 cc	4.00 ÷ 4.35	250	290	17050011.018	86.6		•	•		
48	4.80 cc	4.85 ÷ 4.95	225	260	17050033.018	88.1		•	•		
60	6.00 cc	5.62 ÷ 6.02	185	215	17050012.018	92.2	•	•	•	•	
78	7.80 cc	7.48 ÷ 7.90	140	160	17050013.018	98.9	•	•	•	•	
98	9.80 cc	9.60 ÷ 10.00	110	125	17050054.018	107.2	•	•	•	•	

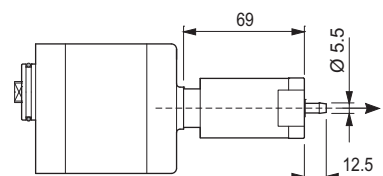
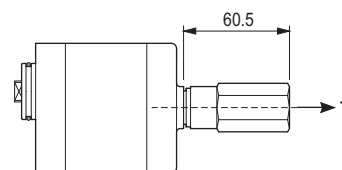
P2 = Intermittent operating pressure
 P3 = Intermittent peak pressure (20 sec. max)

Tanks not compatible (as dimensions, see page 25).

P 1 (1) ** / * **Accessories for pumps group 1**

Displacement

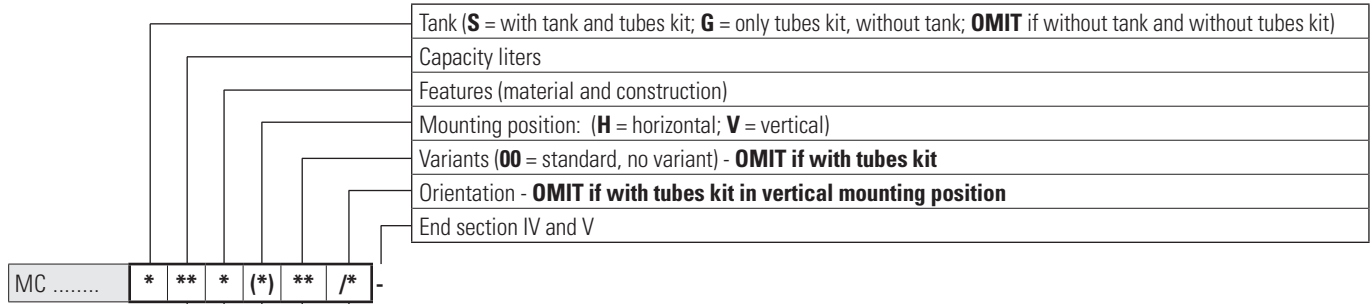
*	Description	Type	Code	Symbol
/A	Single-phase motor start valve - on auxiliary outlet	0.8 ÷ 2.5 l/min	VAM0400L	
/B		> 2.5 ÷ 8.0 l/min	VAM0400M	
/C		> 8.0 ÷ 14 l/min	VAM0400H	
/D	Soft start valve - on auxiliary outlet	hole Ø 0.4 mm	VAMS0404001	



**	With accessory	Tanks not compatible (•)			
		S01A	S09E	S02G	All
09	/A /B /C				
	/D	•	•	•	
12	/A /B /C				
	/D	•	•	•	
17	/A /B /C				
	/D	•	•	•	
22	/A /B /C				
	/D	•	•	•	
26	/A /B /C				
	/D	•	•	•	
32	/A /B /C				
	/D	•	•	•	
38	/A /B /C				
	/D	•	•	•	
43	/A /B /C				
	/D	•	•	•	

Tanks not compatible (as dimensions, see page 25).

Sect. IV - Tanks / Sect. V - Tubes kit



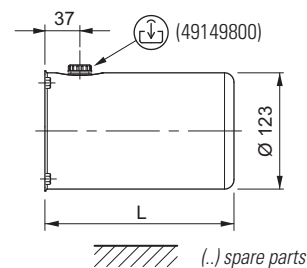
**	Liters	*	Dimensions (mm)	Material	(*) Mounting	** Variants	Page	*	Page
01	1	A	∅ 123 - L 141	Sheet steel	(H)	00	26	/1(std) /2 /3 /4	39
					(V)	00			
02	1,5	G	∅ 130x140 - L 135	Polyethylene	(H)	00	35		
					(V)	00			
02	2	A	∅ 123 - L 200	Sheet steel	(H)	00	26		
					(V)	00			
03	2,5	G	∅ 130x140 - L 235	Polyethylene	(H)	00	35		
					(V)	00			
03	3	A	∅ 123 - L 330	Sheet steel	(H)	00	26		
					(V)	00			
04	4	G	∅ 130x140 - L 295	Polyethylene	(H)	00	35		
					(V)	00			
04	4	L	∅ 180 - L 210	Polyethylene	(H)	00	36		
					(V)	00			
05	5	B	∅ 175 - L 246	Sheet steel	(H)	00-01-02-03-04	27		
					(V)	00			
05	5	C	∅ 200 - L 210	Sheet steel	(H)	00	28		
					(V)	00			
05	5	F	∅ 180 - L 240	Polypropylene	(H)	00	34		
					(V)	00			
06	6	B	∅ 175 - L 308	Sheet steel	(H)	00-04	27		
					(V)	00			
07	7	E	∅ 154x188 - L 299	Sheet steel	(V)	00-01	30		
					(H)	00			
07	7	F	∅ 180 - L 308	Polypropylene	(V)	00	34		
					(H)	00			
07	7	L	∅ 180 - L 310	Polyethylene	(H)	00	37		
					(V)	00			
07	7	M	∅ 180 - L 335	Polietilene	(H)	00	38		
					(V)	00			
08	8	B	∅ 175 - L 370	Sheet steel	(H)	00-04	27		
					(V)	00			
08	8	C	∅ 200 - L 306	Sheet steel	(H)	00	28		
					(V)	00			
09	9	E	∅ 230x130 - L 350	Sheet steel	(H)	00	31		
					(V)	00			
09	9	L	∅ 180 - L 370	Polietilene	(V)	00	37		
					(H)	00			
10	10	C	∅ 200 - L 373	Sheet steel	(H)	00	28		
					(V)	00			
10	10	D	∅ 217 - L 273	Sheet steel	(H)	00	29		
					(V)	00			
10	10	L	∅ 180 - L 410	Polyethylene	(H)	00	37		
					(V)	00			
12	12	D	∅ 217 - L 370	Sheet steel	(H)	00	29		
					(V)	00			
14	14	E	∅ 255x193 - L 366	Sheet steel	(V)	00-01	32		
25	25	E	∅ 250x255 - L 436	Sheet steel	(H)	00-01	33		
					(V)	00-01			

IV
V

Sect. IV - Tanks / Sect. V - Tubes kit

* ** * (H) ** * - Tanks Ø 123 - Sheet steel, capacity 1-2-3 liters - Horizontal mounting (black painted)

Capacity	Features	Mounting	Variant (1)	L (mm)	Capacity (liters)			Tank (with plug)	Tank fixing kit (screws and O-Ring)
					Nominal	Full	Usable		
01				141	1	1.0	0.7	90310000	17010086
02	A	(H)	00	200	2	1.6	1.5	90310001	
03				330	3	3	2.8	90310002	



(1) Variant - OMIT if without tank but with tubes kit

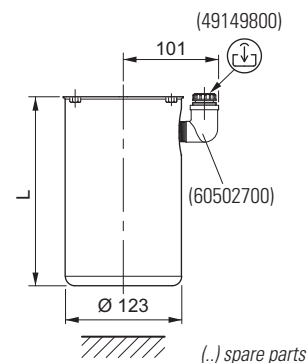
Other variants

Variant	Tank	Variant	Tank	Variant	Tank	Variant	Tank

IV
V

* ** * (V) ** * - Tanks Ø 123 - Sheet steel, capacity 1-2-3 liters - Vertical mounting (black painted)

Capacity	Features	Mounting	Variant (1)	L (mm)	Capacity (liters)			Tank (with plug)	Tank fixing kit (screws and O-Ring)
					Nominal	Full	Usable		
01				141	1	0.9	0.7	90310009	17010086
02	A	(V)	00	200	2	1.6	1.5	90310010	
03				330	3	2.9	2.9	90310011	



(1) Variant - OMIT if without tank but with tubes kit

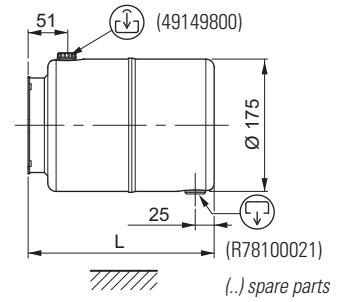
Other variants

Variant	Tank	Variant	Tank	Variant	Tank	Variant	Tank

Sect. IV - Tanks / Sect. V - Tubes kit

*** ** * (H) ** *** - Tanks Ø 175 - Sheet steel, capacity 5-6-8 liters - Horizontal mounting (black painted)

Capacity	Features	Mounting	Variant (1)	L (mm)	Capacity (liters)			Tank (with plugs)	Tank fixing kit (screws and O-Ring)
					Nominal	Full	Usable		
05				246	5	4.7	4.5	90310003	17010086
06	B	(H)	00	308	6	6	5.9	90310004	
08				370	8	8	7.3	90310005	



(1) Variant - OMIT if without tank but with tubes kit

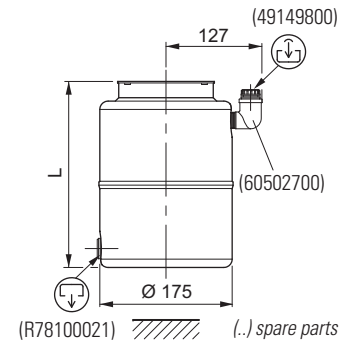
Other variants

Variant	Tank	Variant	Tank	Variant	Tank	Variant	Tank
05	90310003	05	90310149	05	90310134	05	90310176
06		06		06	90310062	06	
08		08		08	90310069	08	

**IV
V**

*** ** * (V) ** *** - Tanks Ø 175 - Sheet steel, capacity 5-6-8 liters - Vertical mounting (black painted)

Capacity	Features	Mounting	Variant (1)	L (mm)	Capacity (liters)			Tank (with plugs)	Tank fixing kit (screws and O-Ring)
					Nominal	Full	Usable		
05				246	5	4.3	4.1	90310012	17010086
06	B	(V)	00	308	6	5.8	5.5	90310013	
08				370	8	7.5	7.2	90310015	



(1) Variant - OMIT if without tank but with tubes kit

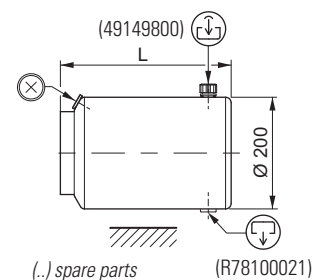
Other variants

Variant	Tank	Variant	Tank	Variant	Tank	Variant	Tank

Sect. IV - Tanks / Sect. V - Tubes kit

* ** * (H) ** * - Tanks Ø 200 - Sheet steel, capacity 5-8-10 liters - Horizontal mounting (black painted)

Capacity	Features	Mounting	Variant (1)	L (mm)	Capacity (liters)			Tank (with plugs)	Tank fixing kit (screws and O-Ring)
					Nominal	Full	Usable		
05				205	5	5.3	5.0	90310425	17010086
08	C	(H)	00	301	8	8.0	7.7	90310428	
10				368	10	10	9.3	90310431	



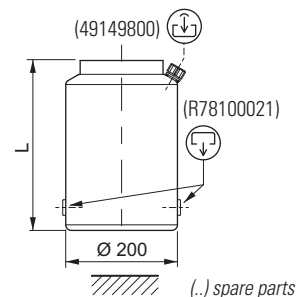
(1) Variant - OMIT if without tank but with tubes kit

Other variants

Variant	Tank	Variant	Tank	Variant	Tank	Variant	Tank
				05	90310453		
				08	90310443	C (H) 03	
				10	90310483		

* ** * (V) ** * - Tanks Ø 200 - Sheet steel, capacity 5-8-10 liters - Vertical mounting (black painted)

Capacity	Features	Mounting	Variant (1)	L (mm)	Capacity (liters)			Tank (with plugs)	Tank fixing kit (screws and O-Ring)
					Nominal	Full	Usable		
05				205	5	4.6	4.3	90310444	17010086
08	C	(V)	00	301	8	7.5	7.1	90310437	
10				368	10	9.5	9.1	90310439	



(1) Variant - OMIT if without tank but with tubes kit

Other variants

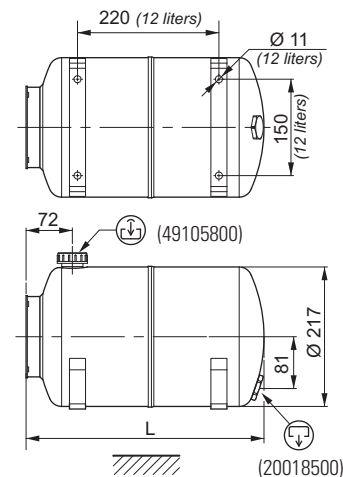
Variant	Tank	Variant	Tank	Variant	Tank	Variant	Tank

Sect. IV - Tanks / Sect. V - Tubes kit

* ** * (H) ** * - Tanks Ø 217 - Sheet steel, capacity 10-12 liters - Horizontal mounting (black painted)

Capacity	Features	Mounting	Variant (1)	L (mm)	Capacity (liters)			Tank (with plugs)	Tank fixing kit (screws and O-Ring)
					Nominal	Full	Usable		
10	D (H) 00			273	10	8	7.6	90310006	17010086
12				370	12	12	11	90310058	

(1) Variant - OMIT if without tank but with tubes kit



Other variants

(..) spare parts

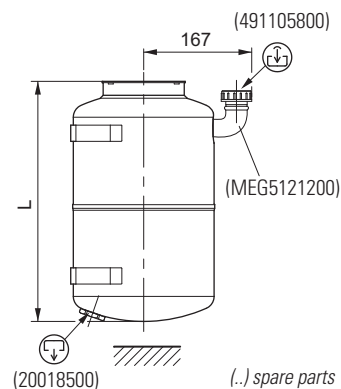
Variant	Tank	Variant	Tank	Variant	Tank	Variant	Tank

IV
V

* ** * (V) ** * - Tanks Ø 217 - Sheet steel, capacity 10-12 liters - Vertical mounting (black painted)

Capacity	Features	Mounting	Variant (1)	L (mm)	Capacity (liters)			Tank (with plugs)	Tank fixing kit (screws and O-Ring)
					Nominal	Full	Usable		
10	D (V) 00			273	10	7	6.8	90310029	17010086
12				370	12	10.3	10.1	90310100	

(1) Variant - OMIT if without tank but with tubes kit



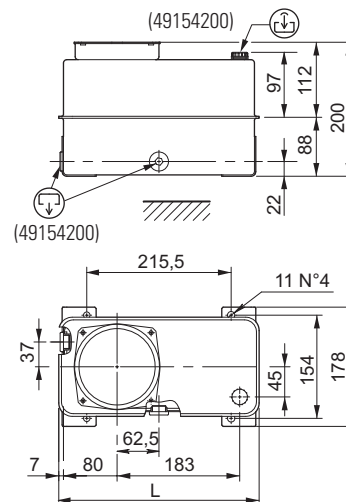
Other variants

Variant	Tank	Variant	Tank	Variant	Tank	Variant	Tank

Sect. IV - Tanks / Sect. V - Tubes kit

* ** * (V) ** * - Rectangular tanks - Sheet steel, capacity 7 liters - Vertical mounting (black painted)

Capacity	Features	Mounting	Variant (1)	L (mm)	Capacity (liters)			Tank (with plugs)	Tank fixing kit (screws and O-Ring)
					Nominal	Full	Usable		
07	E	(V)	00	299	7	5.5	5.1	90310014	17010086



(1) Variant - OMIT if without tank but with tubes kit

(..) spare parts

Other variants

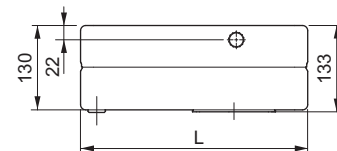
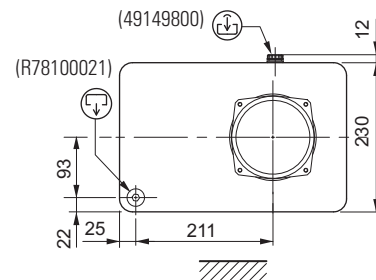
Variant				Tank	Variant				Tank	Variant				Tank
07	E	(V)	01	90310036										

IV
V

Sect. IV - Tanks / Sect. V - Tubes kit

* ** * (H) ** * - **Rectangular tanks - Sheet steel, capacity 9 liters - Horizontal mounting (black painted)**

Capacity	Features	Mounting	Variant (1)	L (mm)	Capacity (liters)			Tank (with plugs)	Tank fixing kit (screws and O-Ring)
					Nominal	Full	Usable		
09	E	(H)	00	350	9	9	8	90310142	17010086



(1) Variant - OMIT if without tank but with tubes kit

(..) spare parts

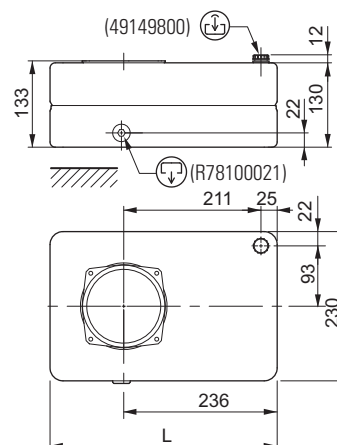
Other variants

Variant	Tank	Variant	Tank	Variant	Tank	Variant	Tank

**IV
V**

* ** * (V) ** * - **Rectangular tanks - Sheet steel, capacity 9 liters - Vertical mounting (black painted)**

Capacity	Features	Mounting	Variant (1)	L (mm)	Capacity (liters)			Tank (with plugs)	Tank fixing kit (screws and O-Ring)
					Nominal	Full	Usable		
09	E	(V)	00	350	9	8.6	7.5	90310142	17010086



(1) Variant - OMIT if without tank but with tubes kit

(..) spare parts

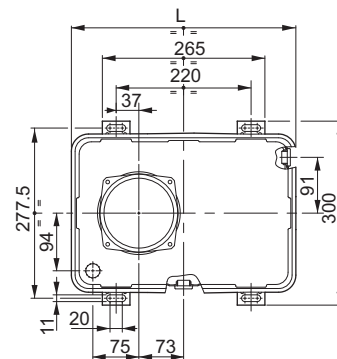
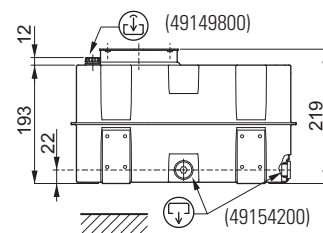
Other variants

Variant	Tank	Variant	Tank	Variant	Tank	Variant	Tank

Sect. IV - Tanks / Sect. V - Tubes kit

* ** * (*) ** * - Rectangular tanks - Sheet steel, capacity 14 liters - Vertical mounting (black painted)

Capacity	Features	Mounting	Variant (1)	L (mm)	Capacity (liters)			Tank (with plugs)	Tank fixing kit (screws and O-Ring)
					Nominal	Full	Usable		
14	E	(V)	00	366	14	14	13	90310045	17010086



(1) Variant - OMIT if without tank but with tubes kit

(..) spare parts

Other variants

Variant	Tank	Variant	Tank	Variant	Tank	Variant	Tank
14 E (V) 01	90310046						

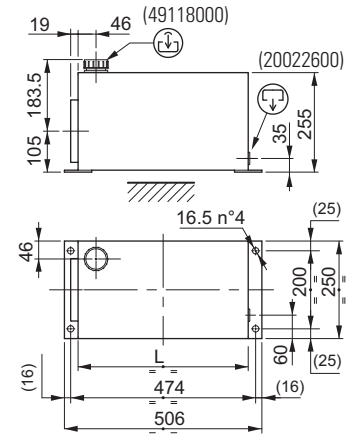
IV
V

Sect. IV - Tanks / Sect. V - Tubes kit

* ** * (*) ** * - **Rectangular tanks - Sheet steel, capacity 25 liters - Horizontal mounting (black painted)**

Capacity	Features	Mounting	Variant (1)	L (mm)	Capacity (liters)			Tank (with plugs)	Tank fixing kit (screws and O-Ring)
					Nominal	Full	Usable		
25	E	(H)	00	436	25	22	21	90310060	17010086

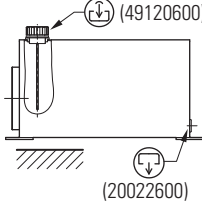
(1) Variant - OMIT if without tank but with tubes kit



(..) spare parts

Other variants

Variant	Tank	Variant	Tank	Variant	Tank	Variant	Tank
25 E (H) 01	90310083						

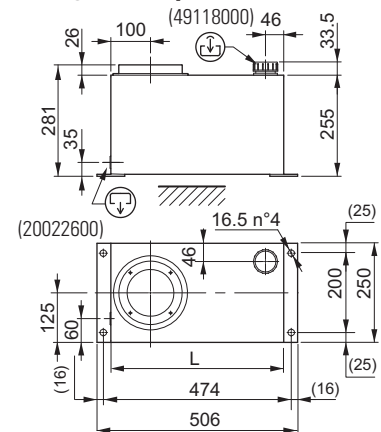


IV
V

* ** * (*) ** * - **Rectangular tanks - Sheet steel, capacity 25 liters - Vertical mounting (black painted)**

Capacity	Features	Mounting	Variant (1)	L (mm)	Capacity (liters)			Tank (with plugs)	Tank fixing kit (screws and O-Ring)
					Nominal	Full	Usable		
25	E	(V)	00	436	25	25	22	90310071	17010086

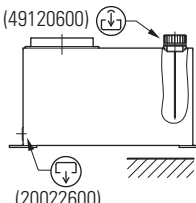
(1) Variant - OMIT if without tank but with tubes kit



(..) spare parts

Other variants

Variant	Tank	Variant	Tank	Variant	Tank	Variant	Tank
25 E (V) 01	90310124						

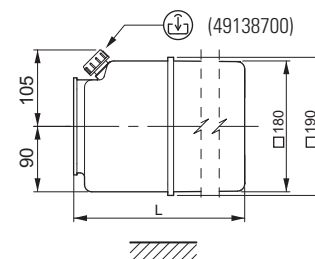


Sect. IV - Tanks / Sect. V - Tubes kit

* ** * (H) ** * - **Square polypropylene tanks capacity 5-7 liters - Horizontal mounting**

Capacity	Features	Mounting	Variant (1)	L (mm)	Capacity (liters)			Tank (with plug, brackets, nuts)	Tank fixing kit (screws and O-Ring)
					Nominal	Full	Usable		
05	F (H) 00			242	5	5.4	4.5	90310313	17010086
07				308	7	7.4	6.5	90310289	

Operating temperature -10°C ÷ +60°C - (1) Variant - OMIT if without tank but with tubes kit



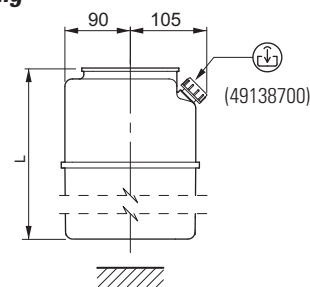
(..) spare parts

IV
V

* ** * (V) ** * - **Square polypropylene tanks capacity 5-7 liters - Vertical mounting**

Capacity	Features	Mounting	Variant (1)	L (mm)	Capacity (liters)			Tank (with plug, brackets, nuts)	Tank fixing kit (screws and O-Ring)
					Nominal	Full	Usable		
05	F (V) 00			242	5	5.4	4.5	90310313	17010086
07				306	7	7.4	6.5	90310289	

Operating temperature -10°C ÷ +60°C - (1) Variant - OMIT if without tank but with tubes kit

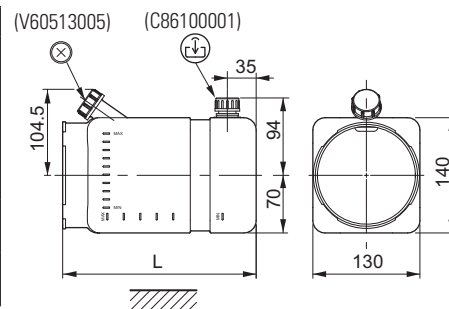


(..) spare parts

Sect. IV - Tanks / Sect. V - Tubes kit

* ** * (H) ** * - **Square polyethylene tanks capacity 1.5-2.5-4 liters - Horizontal mounting**

Capacity	Features	Mounting	Variant (1)	L (mm)	Capacity (liters)			Tank (with plugs, clamp, nuts)	Tank fixing kit collar Ø123 (screws and O-Ring)
					Nominal	Full	Usable		
02				135	1.5	1.3	1	90310491	17010087
03	G	(H)	00	235	2.5	2.5	2	90310484	
04				295	4	3.4	2.5	90310422	



Operating temperature -10°C ÷ +70°C - (1) Variant - OMIT if without tank but with tubes kit

(..) spare parts

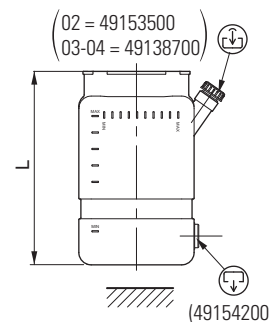
Other variants

Variant	Tank	Variant	Tank	Variant	Tank	Variant	Tank

**IV
V**

* ** * (V) ** * - **Square polyethylene tanks capacity 1.5-2.5-4 liters - Vertical mounting**

Capacity	Features	Mounting	Variant (1)	L (mm)	Capacity (liters)			Tank (with plugs, clamp, nuts)	Tank fixing kit collar Ø123 (screws and O-Ring)
					Nominal	Full	Usable		
02				135	1.5	1.1	0.7	90310486	17010087
03	G	(V)	00	235	2.5	2.7	2.3	90310419	
04				296	4	3.5	3.1	90310402	



Operating temperature -10°C ÷ +70°C - (1) Variant - OMIT if without tank but with tubes kit

(..) spare parts

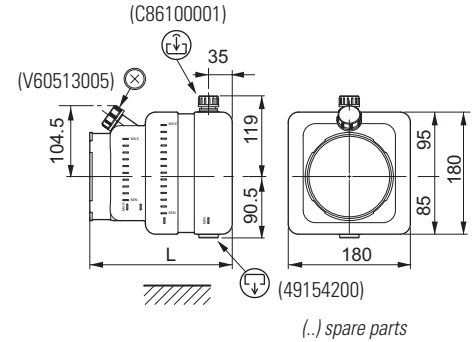
Other variants

Variant	Tank	Variant	Tank	Variant	Tank	Variant	Tank

Sect. IV - Tanks / Sect. V - Tubes kit

* ** * (H) ** * - **Square polyethylene tanks capacity 4 liters - Horizontal mounting**

Capacity	Features	Mounting	Variant (1)	L (mm)	Capacity (liters)			Tank (with plugs, clamp, nuts)	Tank fixing kit collar Ø123 (screws and O-Ring)
					Nominal	Full	Usable		
04	L	(H)	00	210	4	3.6	3	90310331	17010087



Operating temperature -10°C ÷ +70°C - (1) Variant - OMIT if without tank but with tubes kit

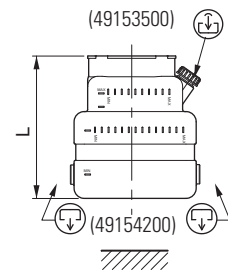
Other variants

Variant				Tank				Variant				Tank				Variant				Tank			

IV
V

* ** * (V) ** * - **Square polyethylene tanks capacity 4 liters - Vertical mounting**

Capacity	Features	Mounting	Variant (1)	L (mm)	Capacity (liters)			Tank (with plugs, clamp, nuts)	Tank fixing kit collar Ø123 (screws and O-Ring)
					Nominal	Full	Usable		
04	L	(V)	00	210	4	3.7	3	90310332	17010087



Operating temperature -10°C ÷ +70°C - (1) Variant - OMIT if without tank but with tubes kit

Other variants

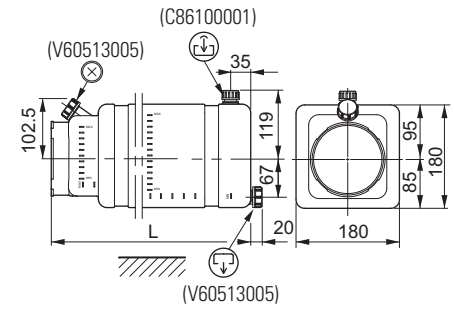
Variant				Tank				Variant				Tank				Variant				Tank			
04	L	(V)	01																				

(49138700)

*** ** * (*) ** *** - **Square polyethylene tanks capacity 7-10 liters - Horizontal mounting**

Capacity	Features	Mounting	Variant (1)	L (mm)	Capacity (liters)			Tank (with plugs, clamp, nuts)	Tank fixing kit collar Ø123 (screws and O-Ring)
					Nominal	Full	Usable		
07	L (H) 00			310	7	6.7	5.5	90310330	17010087
10				410	10	8.7	7.5	90310339	

Operating temperature -10°C ÷ +70°C - (1) Variant - OMIT if without tank but with tubes kit

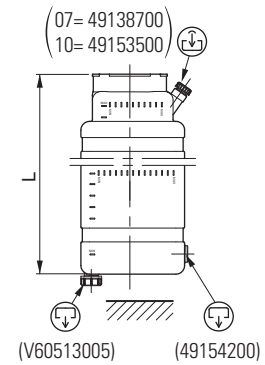


(..) spare parts

*** ** * (*) ** *** - **Square polyethylene tanks capacity 7-10 liters - Vertical mounting**

Capacity	Features	Mounting	Variant (1)	L (mm)	Capacity (liters)			Tank (with plugs, clamp, nuts)	Tank fixing kit collar Ø123 (screws and O-Ring)
					Nominal	Full	Usable		
07	L (V) 00			310	7	6.7	6	90310403	17010087
10				410	10	9.8	9	90310338	

Operating temperature -10°C ÷ +70°C - (1) Variant - OMIT if without tank but with tubes kit



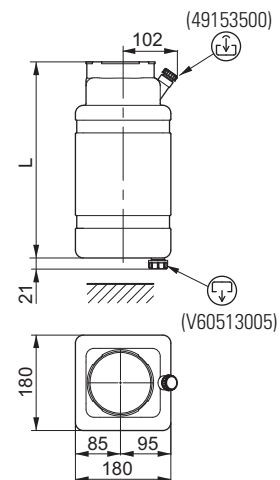
(..) spare parts

**IV
V**

*** ** * (*) ** *** - **Square polyethylene tanks capacity 9 liters - Vertical mounting**

Capacity	Features	Mounting	Variant (1)	L (mm)	Capacity (liters)			Tank (with plugs, clamp, nuts)	Tank fixing kit collar Ø123 (screws and O-Ring)
					Nominal	Full	Usable		
09	L (V) 00			370	9	8.6	8	90310371	17010087

Operating temperature -10°C ÷ +70°C - (1) Variant - OMIT if without tank but with tubes kit

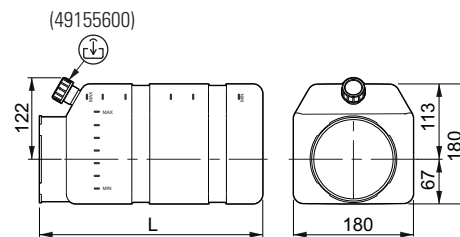


(..) spare parts

Sect. IV - Tanks / Sect. V - Tubes kit

*** ** * (H) ** *** - **Special square polyethylene tanks capacity 7 liters - Horizontal mounting**

Capacity	Features	Mounting	Variant (1)	L (mm)	Capacity (liters)			Tank (with plugs, clamp, nuts)	Tank fixing kit collar Ø123 (screws and O-Ring)
					Nominal	Full	Usable		
07	M	(H)	00	335	7	7.3	6.6	90310380	17010087



Operating temperature -10°C ÷ +70°C - (1) Variant - OMIT if without tank but with tubes kit

(..) spare parts

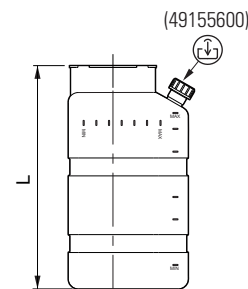
Other variants

Variant				Tank				Variant				Tank				Variant				Tank			

IV
V

*** ** * (V) ** *** - **Special square polyethylene tanks capacity 7 liters - Vertical mounting**

Capacity	Features	Mounting	Variant (1)	L (mm)	Capacity (liters)			Tank (with plugs, clamp, nuts)	Tank fixing kit collar Ø123 (screws and O-Ring)
					Nominal	Full	Usable		
07	M	(V)	00	335	7	7.2	6.4	90310380	17010087



Operating temperature -10°C ÷ +70°C - (1) Variant - OMIT if without tank but with tubes kit

(..) spare parts

Other variants

Variant				Tank				Variant				Tank				Variant				Tank			

Sect. IV - Tanks / Sect. V - Tubes kit

* ** * (*) ** /* - Tanks orientation according to the mounting position

For tanks			(*)	Mounting position	/1 (standard)	/* Orientation			
S	**	A B C D	(H)	Horizontal					
					(1)				

For tanks			(*)	Mounting position	/1 (standard)	/* Orientation			
S	09	E	(H)	Horizontal					

For tanks			(*)	Mounting position	/1 (standard)	/* Orientation			
S	25	E	(H)	Horizontal					

For tanks			(*)	Mounting position	/1 (standard)	/* Orientation			
S	**	F G L	(H)	Horizontal					
					(1)				

(1) Orientation TO BE USED with blocks

IV
V

Sect. IV - Tanks / Sect. V - Tubes kit

* ** * (*) ** /* - Tanks orientation according to the mounting position

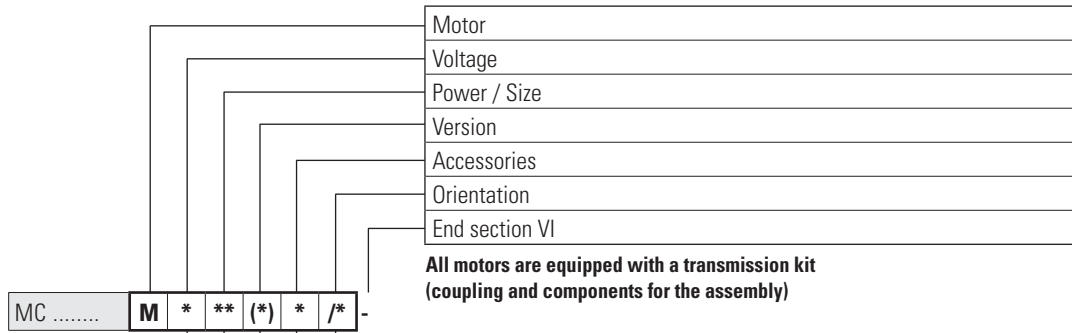
For tanks			(*)	Mounting position	/* Orientation			
			(V)	Vertical	/1 (standard)	/2	/3	/4
S	**	A B C D F G L	(V)					

For tanks			(*)	Mounting position	/* Orientation			
			(V)	Vertical	/1 (standard)	/2	/3	/4
S	07	E	(V)					

For tanks			(*)	Mounting position	/* Orientation			
			(V)	Vertical	/1 (standard)	/2	/3	/4
S	09 25	E	(V)					

For tanks			(*)	Mounting position	/* Orientation			
			(V)	Vertical	/1 (standard)	/2	/3	/4
S	14	E	(V)					

(1) Orientation TO BE USED with blocks
 (2) D Orientation DO NOT USE with blocks



All motors are equipped with a transmission kit (coupling and components for the assembly)

* Voltage	** Power	Size	(*) Version	Page	* Accessories	/ * Orientation	Page	
2 12 VDC	GA	350 W	Ø 80	(1) Std	42	0 - B	/1 /2 Std /3 /4	46
	GC	700 W	Ø 80	(1) Std	42	0 - B		
	AA	1500 W	Ø 115	(1) Std	43	0 - B - C - D - F - G - H		
	EN	1600 W	Ø 115	(1) Std	43	0 - B - C - E		
	GN	1600 W	Ø 115	(1) Std	44	0 - B - C - E		
4 24 VDC	GB	400 W	Ø 80	(1) Std	42	0 - B		
	GD	800 W	Ø 80	(1) Std	42	0 - B		
	AB	2000 W	Ø 115	(1) Std	43	0 - B - C - D - F - G - H		
	ES	2200 W	Ø 115	(1) Std	43	0 - B - C - E		
	GP	2200 W	Ø 115	(1) Std	44	0 - B - C - E		
	GJ	3000 W	Ø 125	(1) Std	44	0 - B - C - E		
	FB	3000 W	Ø 125	(1) Std	44	0 - B - C - E		

* Accessories description	Page
0 Without accessories	—
B Starting switch	45
C Thermal protection	—
D (•) Ventilation	45
E Starting switch + thermal protection	—
F (•) Starting switch + ventilation	—
G Thermal protection + ventilation	—
H (•) Starting switch + thermal protection + ventilation	—

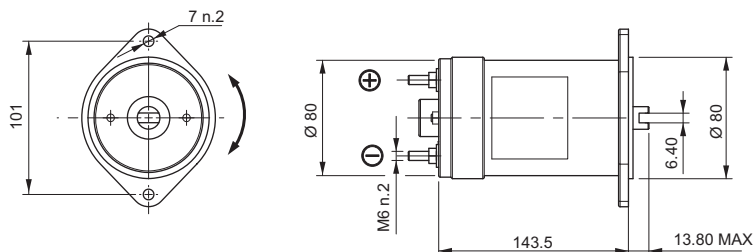
(•) = IP protection level becomes effective after installation on power pack. Acquires IP 10 level with "ventilation" accessory.

For more details, features and performances DC motors, see catalog Dana code DOC00053.

Motors: 12 VDC 350 W / 24 VDC 400 W (permanent magnets)

	Voltage	W	A	rpm	Nm	S2 min	S3%	IP	IC	Ø mm	Code (⊗)
M 2 GA (1) * /*	12 VDC	350	40	3300	1.0	10	35	54	F	80	25021400
M 4 GB (1) * /*	24 VDC	400	30	3100	1.2	5	20	54	F	80	25021500

IP protection level becomes effective after installation on power pack.
 (⊗) Motor without accessories



M * ** (*) * /* - Accessories (page 45)

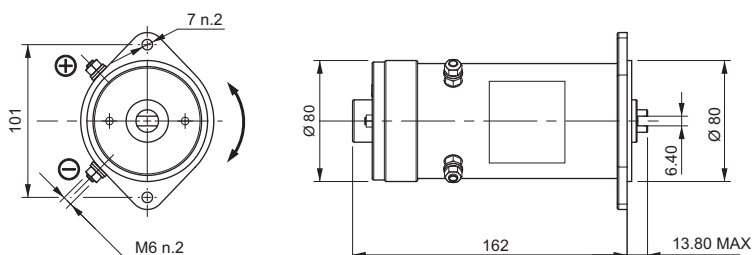
* Description
0 Without accessories
B Starting switch 120A fixing with clamp

Code trasmission kit: page 53

Motors: 12 VDC 700 W / 24 VDC 800 W (permanent magnets)

	Voltage	W	A	rpm	Nm	S2 min	S3%	IP	IC	Ø mm	Code (⊗)
M 2 GC (1) * /*	12 VDC	700	90	3300	2.0	2.5	10	54	F	80	25021600
M 4 GD (1) * /*	24 VDC	800	70	3000	2.5	2	5	54	F	80	25021700

IP protection level becomes effective after installation on power pack.
 (⊗) Motor without accessories



M * ** (*) * /* - Accessories (page 45)

* Description
0 Without accessories
B Starting switch 120A

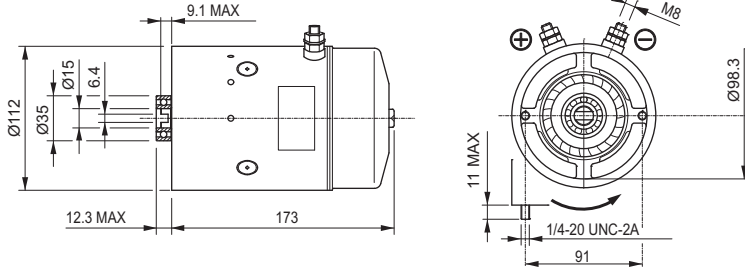
Code trasmission kit: page 53

For more details, features and performances DC motors, see catalog Dana code DOC00053.

Motors: 12 VDC 1500 W / 24 VDC 2000 W (wound field compound)

	Voltage	W	A	rpm	Nm	S2 min	S3%	IP	IC	Ø mm	Code (⊗)
M 2 AA (1) * /*	12 VDC	1500	225	2500	5.5	1	5	54	F	115	25022200
M 4 AB (1) * /*	24 VDC	2000	150	2250	8	2	5	54	F	115	25022300

IP protection level becomes effective after installation on power pack.
 (⊗) Motor without accessories



Code trasmission kit: page 53

M * ** (*) * /* - Accessories (page 45)

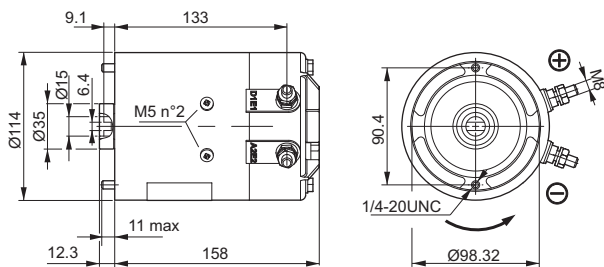
* Description
0 Without accessories
B Starting switch 120A
D Ventilation
F Ventilation + Starting switch
G Ventilation + Thermal protection
H Ventilation + Thermal protection + Starting switch

Acquires IP 10 protection level with "ventilation" accessory.

Motors: 12 VDC 1600 W / 24 VDC 2200 W (wound field compound)

	Voltage	W	A	rpm	Nm	S2 min	S3%	IP	IC	Ø mm	Code (⊗)
M 2 EN (1) * /*	12 VDC	1600	230	2600	5	2	10	54	F	115	25021100
M 4 ES (1) * /*	24 VDC	2200	140	2700	8	1.2	5	54	F	115	25021200

IP protection level becomes effective after installation on power pack.
 (⊗) Motor without accessories



Code trasmission kit: page 53

M * ** (*) * /* - Accessories (page 45)

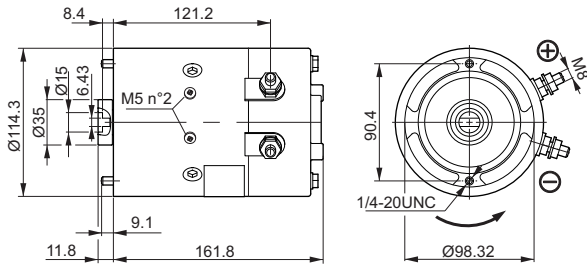
* Description
0 Without accessories
B Starting switch 120A
C Thermal protection
E Starting switch + thermal protection

For more details, features and performances DC motors, see catalog Dana code DOC00053.

Motors: 12 VDC 1600 W / 24 VDC 2200 W (wound field serie)

	Voltage	W	A	rpm	Nm	S2 min	S3%	IP	IC	Ø mm	Code (⊗)
M 2 GN (1) * /*	12 VDC	1600	220	2600	6	4	8	54	F	115	25022600
M 4 GP (1) * /*	24 VDC	2200	140	2600	6	2	7.5	54	F	115	25022700

IP protection level becomes effective after installation on power pack.
 (⊗) Motor without accessories



M * ** (*) * /* - Accessories (page 45)

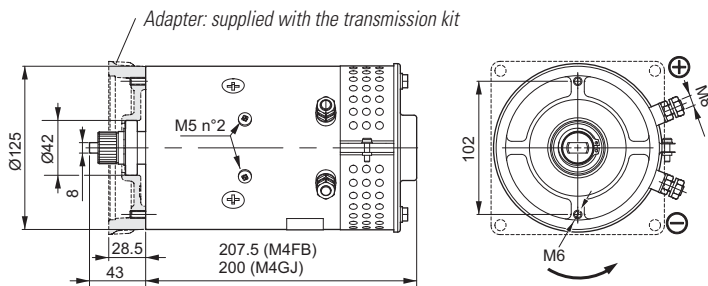
* Description	
0 Without accessories	
B Starting switch 120A	
Code trasmission kit: page 53	

VI
DC

Motors: 24 VDC 3000 W (wound field compound)

	Voltage	W	A	rpm	Nm	S2 min	S3%	IP	IC	Ø mm	Code (⊗)
M 4 FB (1) * /*	24 VDC	3000	200	3300	8.5	4	15	20	F	125	25021300
M 4 GJ (1) * /*	24 VDC	3000	180	3500	8.5	3.5	15	20	F	125	25022400

IP protection level becomes effective after installation on power pack.
 (⊗) Motor without accessories



M * ** (*) * /* - Accessories (page 45)

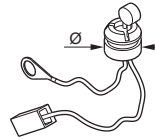
** * Description
0 Without accessories
B Starting switch 150A
D Ventilation
F Ventilation + Starting switch
G Ventilation + Thermal protection
H Ventilation + Thermal protection + Starting switch

Code trasmission kit: page 53

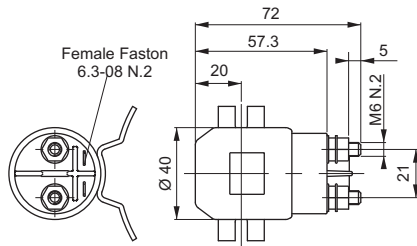
For more details, features and performances DC motors, see catalog Dana code DOC00053.

M * ** (*) **C** /* - **Accessory: Thermal protection**

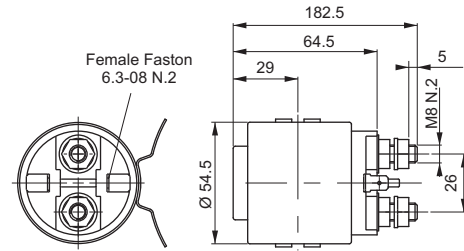
Thermal protection		
Code	Ø mm	For motors
90340009	16	M2EN - M4ES



M * ** (*) **B** /* - **Accessory: Starting switch**



120A starting switch		
Code (•)	VDC	For motors
KIT07012.027	12	M2GA - M2GC
KIT07012.032	24	M4GB - M4GD
KIT07012.033	12	M2AA
KIT07012.034	24	M4AB
KIT07012.025	12	M2EN - M2GN
KIT07012.026	24	M4ES - M2GP



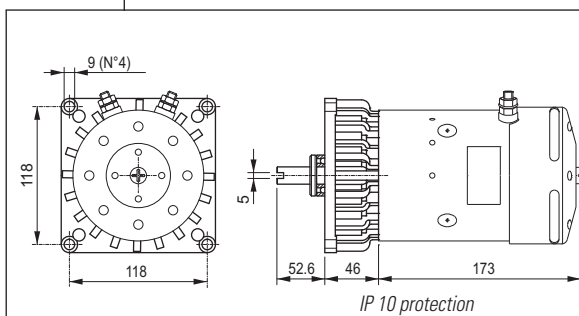
150A starting switch		
Code (•)	VDC	For motors
KIT07012.019	24	M4FB - M4GJ

(•) Complete kit with all assembly components.

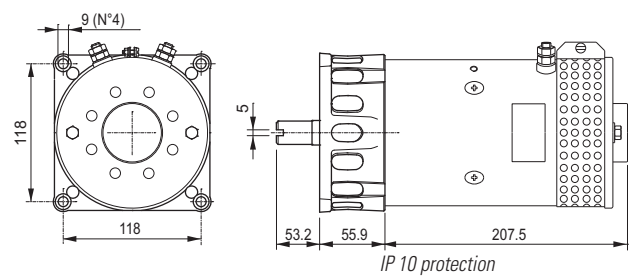
For more details, features and performances DC motors, see catalog Dana code DOC00053.

VI
DC

M * ** (*) ***** /* - **Accessory: Ventilation (motor included)**



*	Code (•)	VDC	For motors
D	KIT01008.065	12	M2AA
G	KIT01008.088	12	M2AA + thermal protection
D	KIT01008.067	24	M4AB
G	KIT01008.077	24	M4AB + thermal protection



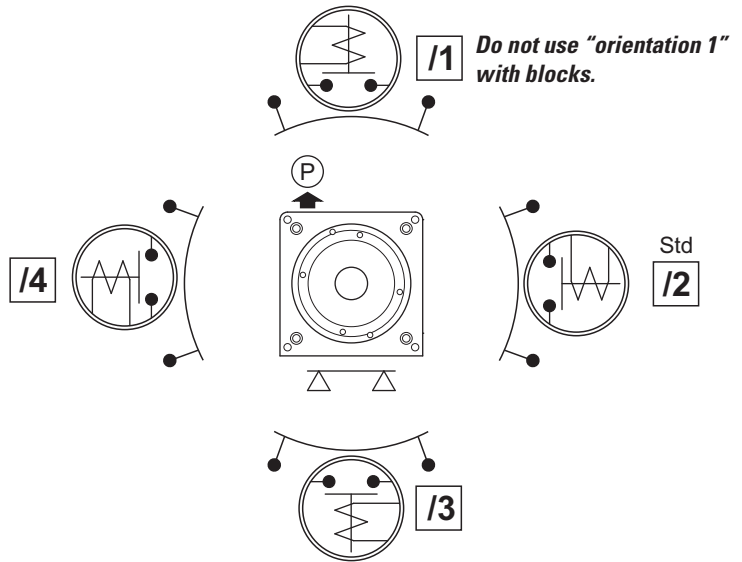
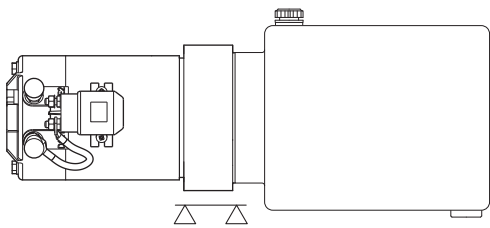
*	Code (•)	VDC	For motors
D	KIT01008.118	24	M4FB
D	KIT01008.215	24	M4GJ
G	KIT01008.119	24	M4FB + thermal protection

(•) Complete kit with all assembly components (motor, transmission kit, etc).

For more details, features and performances DC motors, see catalog Dana code DOC00053.

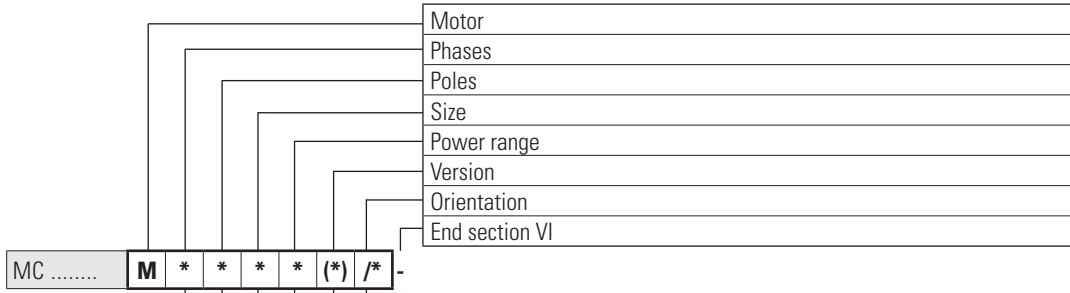
M * ** (*) * /* - Motor orientation

Starting switch and poles position.



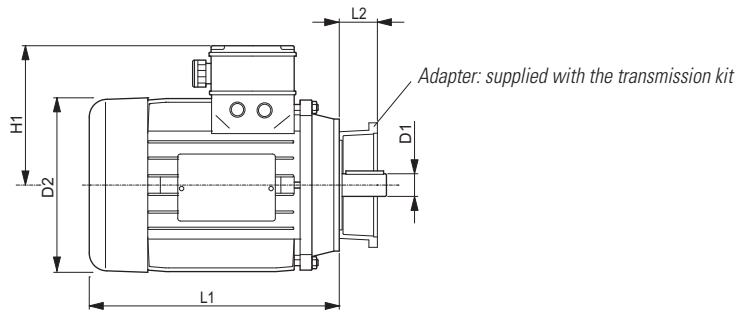
VI
DC

Sect. VI - AC Motors



*	Phases	* Poles	*	Size	* Power range		Page	(*) Version	/* Orientation	Page			
					Power	Voltage							
M	Monofase	2	L	71	A	0.37 kW	230 Vac 50 Hz	48	(1) Std	/1 /2 /3 /4 Std	52		
			L	71	B	0.55 kW	230 Vac 50 Hz	48					
			S	71	A	0.75 kW	230 Vac 50 Hz	50					
			S	71	B	1.10 kW	230 Vac 50 Hz	50					
			M	80	A	0.75 kW	230 Vac 50 Hz	48					
			M	80	B	1.10 kW	230 Vac 50 Hz	48					
			N	90	A	1.50 kW	230 Vac 50 Hz	48					
			N	90	B	2.20 kW	230 Vac 50 Hz	48					
			P	100	A	3.00 kW	230 Vac 50 Hz	48					
			L	71	A	0.25 kW	230 Vac 50 Hz	48					
			L	71	B	0.37 kW	230 Vac 50 Hz	48					
			S	71	C	0.85 kW	230 Vac 50 Hz	50					
		M	80	A	0.55 kW	230 Vac 50 Hz	48						
		M	80	B	0.75 kW	230 Vac 50 Hz	48						
		N	90	A	1.10 kW	230 Vac 50 Hz	48						
		N	90	B	1.50 kW	230 Vac 50 Hz	48						
		V	90	A	1.80 kW	230 Vac 50 Hz	51						
		V	90	B	3.00 kW	230 Vac 50 Hz	51						
		P	100	A	2.20 kW	230 Vac 50 Hz	48						
		T	Trifase	2	R	63	A	0.18 kW				230/400 Vac 50 Hz	49
					R	63	B	0.25 kW				230/400 Vac 50 Hz	49
					L	71	A	0.37 kW				230/400 Vac 50 Hz	49
					L	71	B	0.55 kW				230/400 Vac 50 Hz	49
					S	71	A	0.75 kW				230/400 Vac 50 Hz	50
S	71				B	1.10 kW	230/400 Vac 50 Hz	50					
M	80				A	0.75 kW	230/400 Vac 50 Hz	49					
M	80				B	1.10 kW	230/400 Vac 50 Hz	49					
T	80				A	2.70 kW	230/400 Vac 50 Hz	51					
T	80				B	2.70 kW	230/400 Vac 50 Hz	51					
N	90				A	1.50 kW	230/400 Vac 50 Hz	49					
N	90				B	2.20 kW	230/400 Vac 50 Hz	49					
P	100				A	3.00 kW	230/400 Vac 50 Hz	49					
P	112				B	4.00 kW	230/400 Vac 50 Hz	49					
R	63				A	0.12 kW	230/400 Vac 50 Hz	49					
R	63				B	0.18 kW	230/400 Vac 50 Hz	49					
L	71				A	0.25 kW	230/400 Vac 50 Hz	49					
L	71				B	0.37 kW	230/400 Vac 50 Hz	49					
S	71			A	0.75 kW	230/400 Vac 50 Hz	50						
M	80			A	0.55 kW	230/400 Vac 50 Hz	49						
M	80			B	0.75 kW	230/400 Vac 50 Hz	49						
T	80			A	2.20 kW	230/400 Vac 50 Hz	51						
T	80			B	2.20 kW	230/400 Vac 50 Hz	51						
T	80			C	2.20 kW	230/400 Vac 50 Hz	51						
T	80			D	3.00 kW	230/400 Vac 50 Hz	51						
N	90			A	1.10 kW	230/400 Vac 50 Hz	49						
N	90			B	1.50 kW	230/400 Vac 50 Hz	49						
P	100			A	2.20 kW	230/400 Vac 50 Hz	49						
P	100			B	3.00 kW	230/400 Vac 50 Hz	49						
P	112			C	4.00 kW	230/400 Vac 50 Hz	49						

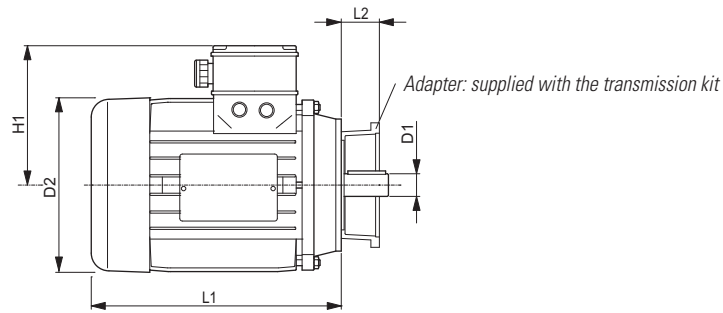
Motors supplied with all assembly components (transmission kit, coupling, etc).



Single-phase motors 2-4 Poles - 230 Vac 50Hz - Version B14

M	M	Poles	Size	D1 (•)	D2 (•)	H1 (•)	L1 (•)	Power range					Cable gland metric thread	Adapter			Single Motor	Transmission kit (for pump)					
								Power kW	Voltage	IP	IC	S1		Code	Screw UNI 5931	L2							
M	M	2	L	A	(1)	2	2	71	14	148	115	208	0.37	230 Vac 50 Hz	54	F	Si	20-25	61000700	M6x20	19.5	M12E2000	KIT01008.006 (Gr.05)
M	M	2	L	B	(1)	2	2	71	14	148	115	208	0.55	230 Vac 50 Hz	54	F	Si	20-25	61000700	M6x20	19.5	M12F2000	KIT01008.001 (Gr.1)
M	M	2	M	A	(1)	2	2	80	19	170	126	234	0.75	230 Vac 50 Hz	54	F	Si	20-25	61000800	M6x20	30.4	M13G2000	KIT01008.005 (Gr.05)
M	M	2	M	B	(1)	2	2	80	19	170	126	234	1.10	230 Vac 50 Hz	54	F	Si	20-25	61000800	M6x20	30.4	M13H2000	KIT01008.002 (Gr.1)
M	M	2	N	A	(1)	2	2	90	24	185	142	247	1.50	230 Vac 50 Hz	54	F	Si	20-25	61000900	M8x21	40.4	M14L2000	KIT01008.007 (Gr.05)
M	M	2	N	B	(1)	2	2	90	24	185	142	272	2.20	230 Vac 50 Hz	54	F	Si	20-25	61000900	M8x21	40.4	M14N2000	KIT01008.003 (Gr.1)
M	M	2	P	A	(1)	2	2	100	28	210	155	310	3.00	230 Vac 50 Hz	54	F	Si	25-32	61001000	M8x28	75	M15P2000	KIT01008.013 (Gr.05) KIT01008.004 (Gr.1)
M	M	4	L	A	(1)	2	4	71	14	148	115	208	0.25	230 Vac 50 Hz	54	F	Si	20-25	61000700	M6x20	19.5	M12D4000	KIT01008.006 (Gr.05)
M	M	4	L	B	(1)	2	4	71	14	148	115	208	0.37	230 Vac 50 Hz	54	F	Si	20-25	61000700	M6x20	19.5	M12E4000	KIT01008.001 (Gr.1)
M	M	4	M	A	(1)	2	4	80	19	170	126	234	0.55	230 Vac 50 Hz	54	F	Si	20-25	61000800	M6x20	30.4	M13F4000	KIT01008.005 (Gr.05)
M	M	4	M	B	(1)	2	4	80	19	170	126	234	0.75	230 Vac 50 Hz	54	F	Si	20-25	61000800	M6x20	30.4	M13G4000	KIT01008.002 (Gr.1)
M	M	4	N	A	(1)	2	4	90	24	185	142	247	1.10	230 Vac 50 Hz	54	F	Si	20-25	61000900	M8x21	40.4	M14H4000	KIT01008.007 (Gr.05)
M	M	4	N	B	(1)	2	4	90	24	185	142	272	1.50	230 Vac 50 Hz	54	F	Si	20-25	61000900	M8x21	40.4	M14L4000	KIT01008.003 (Gr.1)
M	M	4	P	A	(1)	2	4	100	28	210	155	310	2.20	230 Vac 50 Hz	54	F	Si	25-32	61001000	M8x28	75	M15N4000	KIT01008.013 (Gr.05) KIT01008.004 (Gr.1)

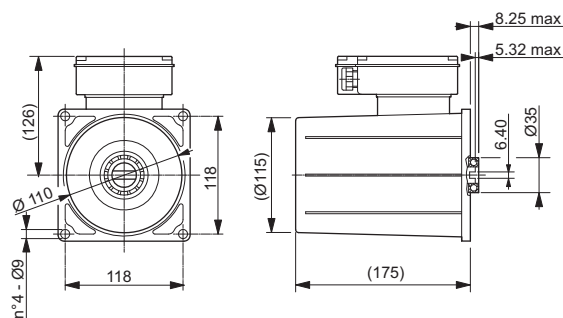
(•) = Approximate dimensions



Three-phase motors 2-4 Poles - 230/400 Vac 50Hz - Version B14

M	T	Poles	Size	D1 (*)	D2 (*)	H1 (*)	L1 (*)	Power range					Cable gland metric thread	Adapter			Single Motor	Transmission kit (for pump)					
								Power kW	Voltage	IP	IC	S3		Code	Screw UNI 5931	L2							
M	T	2	R	A	(1)	3	2	63	11	125	95	189	0.18	230/400 Vac 50 Hz	54	F	60%	16-20	61004300	M5x16	19.5	M31C2000	KIT01008.008 (Gr.05)
M	T	2	R	B	(1)	3	2	63	11	125	95	189	0.25	230/400 Vac 50 Hz	54	F	60%	16-20	61004300	M5x16	19.5	M31D2000	KIT01008.014 (Gr.1)
M	T	2	L	A	(1)	3	2	71	14	148	115	208	0.37	230/400 Vac 50 Hz	54	F	60%	20-25	61000700	M6x20	19.5	M32E2000	KIT01008.006 (Gr.05)
M	T	2	L	B	(1)	3	2	71	14	148	115	208	0.55	230/400 Vac 50 Hz	54	F	60%	20-25	61000700	M6x20	19.5	M32F2000	KIT01008.001 (Gr.1)
M	T	2	M	A	(1)	3	2	80	19	170	126	234	0.75	230/400 Vac 50 Hz	54	F	60%	20-25	61000800	M6x20	30.4	M33G2000	KIT01008.005 (Gr.05)
M	T	2	M	B	(1)	3	2	80	19	170	126	234	1.10	230/400 Vac 50 Hz	54	F	60%	20-25	61000800	M6x20	30.4	M33H2000	KIT01008.002 (Gr.1)
M	T	2	N	A	(1)	3	2	90	24	185	142	247	1.50	230/400 Vac 50 Hz	54	F	60%	20-25	61000900	M8x21	40.4	M34L2000	KIT01008.007 (Gr.05)
M	T	2	N	B	(1)	3	2	90	24	185	142	272	2.20	230/400 Vac 50 Hz	54	F	60%	20-25	61000900	M8x21	40.4	M34N2000	KIT01008.003 (Gr.1)
M	T	2	P	A	(1)	3	2	100	28	210	155	310	3.00	230/400 Vac 50 Hz	54	F	60%	25-32	61001000	M8x28	75	M35P2000	KIT01008.013 (Gr.05)
M	T	2	P	B	(1)	3	2	112	28	225	182	325	4.00	230/400 Vac 50 Hz	54	F	60%	25-32	61001000	M8x28	75	M36Q2000	KIT01008.004 (Gr.1)
M	T	4	R	A	(1)	3	4	63	11	125	95	189	0.12	230/400 Vac 50 Hz	54	F	60%	16-20	61004300	M5x16	19.5	M31B4000	KIT01008.008 (Gr.05)
M	T	4	R	B	(1)	3	4	63	11	125	95	189	0.18	230/400 Vac 50 Hz	54	F	60%	16-20	61004300	M5x16	19.5	M31C4000	KIT01008.014 (Gr.1)
M	T	4	L	A	(1)	3	4	71	14	148	115	208	0.25	230/400 Vac 50 Hz	54	F	60%	20-25	61000700	M6x20	19.5	M32D4000	KIT01008.006 (Gr.05)
M	T	4	L	B	(1)	3	4	71	14	148	115	208	0.37	230/400 Vac 50 Hz	54	F	60%	20-25	61000700	M6x20	19.5	M32E4000	KIT01008.001 (Gr.1)
M	T	4	M	A	(1)	3	4	80	19	170	126	234	0.55	230/400 Vac 50 Hz	54	F	60%	20-25	61000800	M6x20	30.4	M33F4000	KIT01008.005 (Gr.05)
M	T	4	M	B	(1)	3	4	80	19	170	126	234	0.75	230/400 Vac 50 Hz	54	F	60%	20-25	61000800	M6x20	30.4	M33G4000	KIT01008.002 (Gr.1)
M	T	4	N	A	(1)	3	4	90	24	185	142	247	1.10	230/400 Vac 50 Hz	54	F	60%	20-25	61000900	M8x21	40.4	M34H4000	KIT01008.007 (Gr.05)
M	T	4	N	B	(1)	3	4	90	24	185	142	272	1.50	230/400 Vac 50 Hz	54	F	60%	20-25	61000900	M8x21	40.4	M34L4000	KIT01008.003 (Gr.1)
M	T	4	P	A	(1)	3	4	100	28	210	155	310	2.20	230/400 Vac 50 Hz	54	F	60%	25-32	61001000	M8x28	75	M35N4000	KIT01008.013 (Gr.05)
M	T	4	P	B	(1)	3	4	100	28	210	155	310	3.00	230/400 Vac 50 Hz	54	F	60%	25-32	61001000	M8x28	75	M35P4000	KIT01008.004 (Gr.1)
M	T	4	P	C	(1)	3	4	112	28	225	182	325	4.00	230/400 Vac 50 Hz	54	F	60%	25-32	61001000	M8x28	75	M36Q4000	

(*)= Approximate dimensions

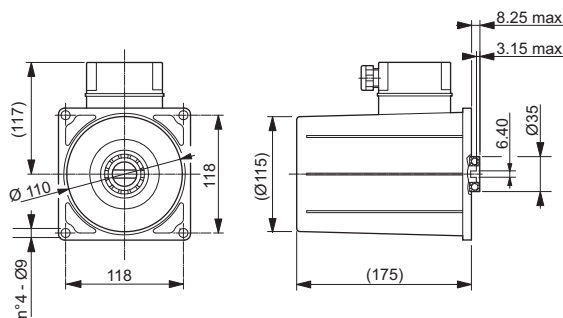


Single-phase motors 2-4 Poles - 230 Vac 50Hz - Special housing

Phases	Poles	Size	Power range				Cable gland metric thread	Single Motor	Transmission kit	Note	
			Power kW	Voltage	IP	IC					Service
M	M 2 S A (1)	2 2 71	0.75	230 Vac 50 Hz	54	F	Light-duty	20	M12GY3FF.001	KIT01008.126 (per pompe Gr.1) KIT01008.130 (per pompe Gr.0.5)	Without fan
M	M 2 S B (1)	2 2 71	1.10	230 Vac 50 Hz	54	F	Light-duty	20	M12HY3FF.000	KIT01008.126 (per pompe Gr.1) KIT01008.130 (per pompe Gr.0.5)	Without fan
M	M 4 S C (1)	2 4 71	0.85	230 Vac 50 Hz	54	F	Light-duty	20	M12YY3FF.001	KIT01008.126 (per pompe Gr.1) KIT01008.130 (per pompe Gr.0.5)	Without fan

IP protection level becomes effective after installation on power pack.

VI
AC



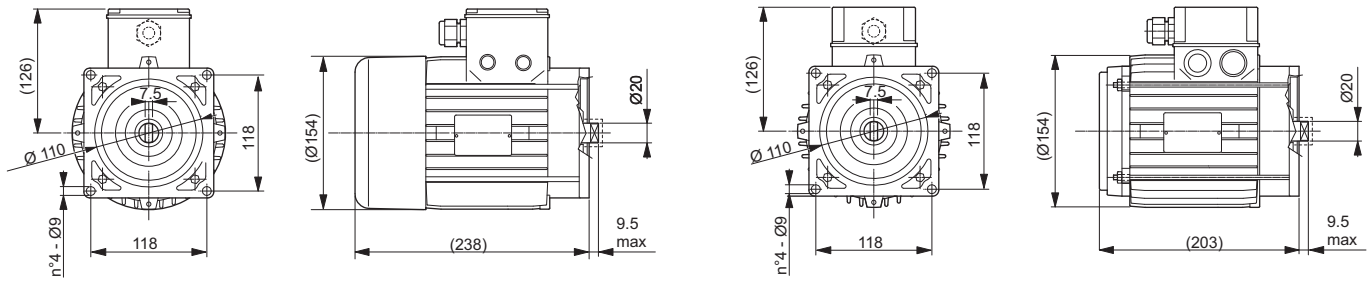
Three-phase motors 2-4 Poles - 230/400 Vac 50Hz - Direct fixing

Phases	Poles	Size	Power range				Cable gland metric thread	Single Motor	Transmission kit	Note	
			Power kW	Voltage	IP	IC					Service
M	T 2 S A (1)	3 2 71	0.75	230/400 Vac 50 Hz	54	F	Light-duty	20	M32GY3FL.003	KIT01008.126 (per pompe Gr.1) KIT01008.130 (per pompe Gr.0.5)	Without fan
M	T 2 S B (1)	3 2 71	1.10	230/400 Vac 50 Hz	54	F	Light-duty	20	M32HY3FL.001	KIT01008.126 (per pompe Gr.1) KIT01008.130 (per pompe Gr.0.5)	Without fan
M	T 4 S A (1)	3 4 71	0.75	230/400 Vac 50 Hz	54	F	Light-duty	20	M32GY3FL.002	KIT01008.126 (per pompe Gr.1) KIT01008.130 (per pompe Gr.0.5)	Without fan

IP protection level becomes effective after installation on power pack.

With fan

Without fan

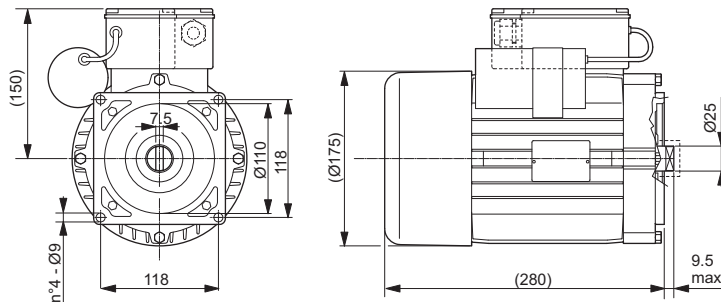


Three-phase motors 2-4 Poles - 230/400 Vac 50Hz - Direct fixing

Phases	Poles	Size	Power range				Cable gland metric thread	Single Motor	Transmission kit	Note	
			Power kW	Voltage	IP	IC					Service
M	T 2 T A (1)	3 2 80	2.7	230/400 Vac 50 Hz	44	F	Light-duty	20-25	M33YD1FF.000	KIT01008.131 (per pompe Gr.1)	With fan
M	T 2 T B (1)	3 2 80	2.7	230/400 Vac 50 Hz	44	F	Light-duty	20-25	M33YD1FF.001	KIT01008.131 (per pompe Gr.1)	Without fan
M	T 4 T A (1)	3 4 80	2.2	230/400 Vac 50 Hz	44	F	S3 - 4%	20-25	M33NF1FF.001	KIT01008.131 (per pompe Gr.1)	Without fan
M	T 4 T B (1)	3 4 80	2.2	230/400 Vac 50 Hz	55	F	S3 - 4%	20-25	M33NF4FF.000	KIT01008.131 (per pompe Gr.1)	With fan
M	T 4 T C (1)	3 4 80	2.2	230/400 Vac 50 Hz	44	F	S3 - 4%	20-25	M33NF1FF.000	KIT01008.131 (per pompe Gr.1)	With fan
M	T 4 T D (1)	3 4 80	3.0	230/400 Vac 50 Hz	54	F	Light-duty	20-25	M33PF3FF.000	KIT01008.131 (per pompe Gr.1)	With fan

IP protection level becomes effective after installation on power pack.

VI
AC



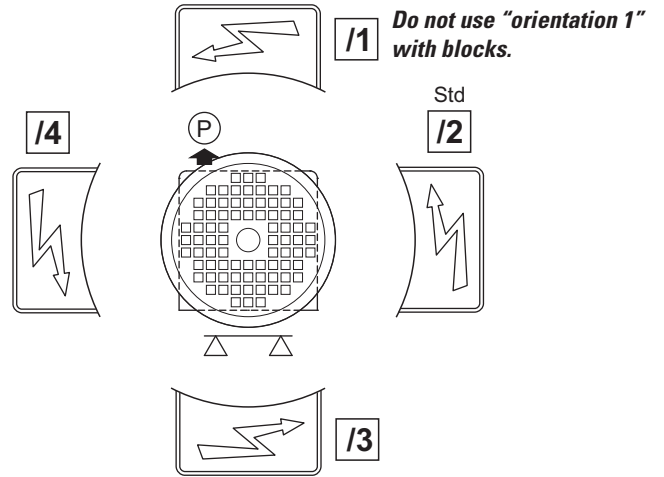
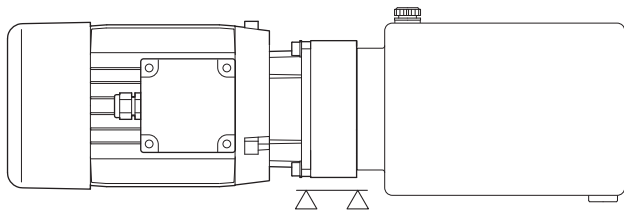
Single-phase motors 4 Poles - 230 Vac 50Hz - Direct fixing

Phases	Poles	Size	Power range				Cable gland metric thread	Single Motor	Transmission kit	Note	
			Power kW	Voltage	IP	IC					Service
M	M 4 V A (1)	2 4 90	1.8	230 Vac 50 Hz	44	F	Light-duty	20-25	M14MF1FF.001	KIT01008.131 (per pompe Gr.1)	With fan Start torque 13Nm
M	M 4 V B (1)	2 4 90	3.0	230 Vac 50 Hz	55	F	S3 - 7%	20-25	M14PF4FF.000	KIT01008.131 (per pompe Gr.1)	With fan

IP protection level becomes effective after installation on power pack.

M * * * * (*) / * - Motor orientation

Connector box position on power pack.

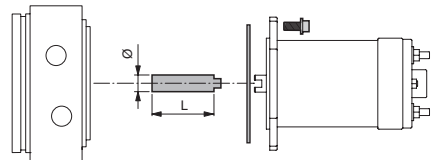


Transmission kit (only for motors on the catalog)
Type
End section VII

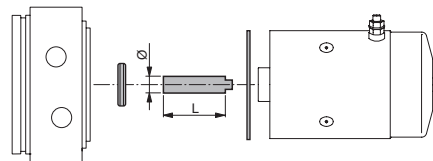
Specify the transmission kit whether you requested the joint and accessories assembly (without motor).

MC T **

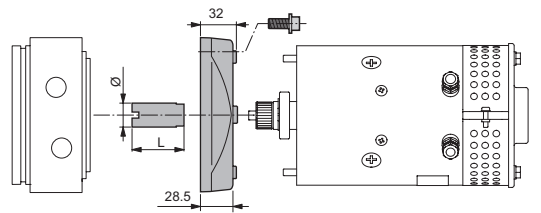
**	Transmission kit				For DC motors
	Code	Pump	L	Ø	
01	KIT08019.027	Gr. 0.5	52.7	14	GA (350 W - Ø 80 - Page 42) GC (700 W - Ø 80 - Page 42) GB (400 W - Ø 80 - Page 42) GD (800 W - Ø 80 - Page 42)
	KIT08019.026	Gr. 1	36.6	14	



**	Transmission kit				For DC motors
	Code	Pump	L	Ø	
02	KIT08019.028	Gr. 0.5	53.9	14	AA (1500 W - Ø 115 - Page 43) EN (1600 W - Ø 115 - Page 43) AB (2000 W - Ø 115 - Page 43) ES (2200 W - Ø 115 - Page 43) GN (1600 W - Ø 115 - Page 44) GP (2200 W - Ø 115 - Page 44)
	KIT08019.025	Gr. 1	37.9	14	



**	Transmission kit				For DC motors
	Code	Pump	L	Ø	
03	KIT08019.029	Gr. 1	34.6	20	GJ (3000 W - Ø 125 - Page 44) FB (3000 W - Ø 125 - Page 44)



Note: in ventilated motors (accessory "D" page 44) the transmission is included in the kit ventilation

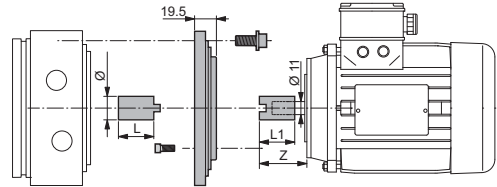
Sect. VII - Transmission kit AC motors

Transmission kit (only for motors on the catalog)
Type
End section VII

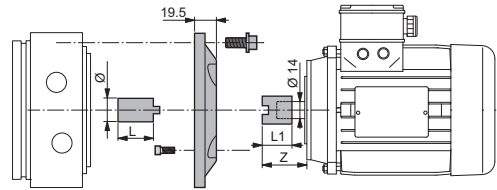
Specify the transmission kit whether you requested the joint and accessories assembly (without motor).

MC T **

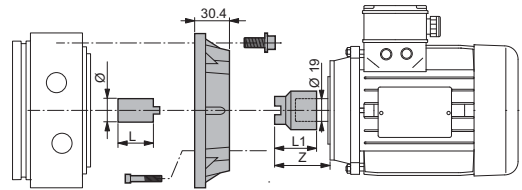
**	Transmission kit						For AC motors		Page
	Code	Pump	L	Ø	L1	Z	Ref.	Size	
1R	KIT01008.008	Gr. 0.5	16	14	49.5	62.7	R	63 (B14)	49
	KIT01008.014	Gr. 1	19.5	20	30	42.8			



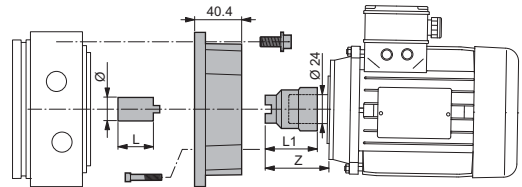
**	Transmission kit						For AC motors		Page
	Code	Pump	L	Ø	L1	Z	Ref.	Size	
1L	KIT01008.006	Gr. 0.5	36.1	14	26.5	42	L	71 (B14)	48 49
	KIT01008.001	Gr. 1	19.5	20	26.5	42			



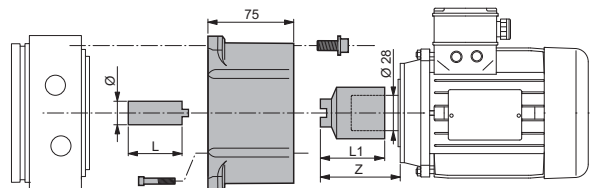
**	Transmission kit						For AC motors		Page
	Code	Pump	L	Ø	L1	Z	Ref.	Size	
1M	KIT01008.005	Gr. 0.5	36.1	14	38	53	M	80 (B14)	48 49
	KIT01008.002	Gr. 1	19.5	20	38	53			



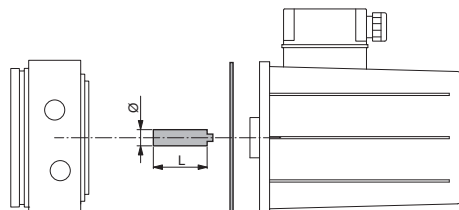
**	Transmission kit						For AC motors		Page
	Code	Pump	L	Ø	L1	Z	Ref.	Size	
1N	KIT01008.007	Gr. 0.5	36.1	14	45.5	63	N	90 (B14)	48 49
	KIT01008.003	Gr. 1	19.5	20	45.5	63			



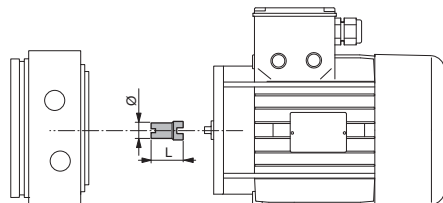
**	Transmission kit						For AC motors		Page
	Code	Pump	L	Ø	L1	Z	Ref.	Size	
1P	KIT01008.013	Gr. 0.5	52.7	14	57	81.5	P	100-112 (B14)	48 49
	KIT01008.004	Gr. 1	36.3	20	57	81.5			



**	Transmission kit				For AC motors		Page
	Code	Pump	L	Ø	Ref.	Size	
1S	KIT01008.130	Gr. 0.5	53.9	14	S	71 (direct fixing)	50
	KIT01008.126	Gr. 1	37.9	14			

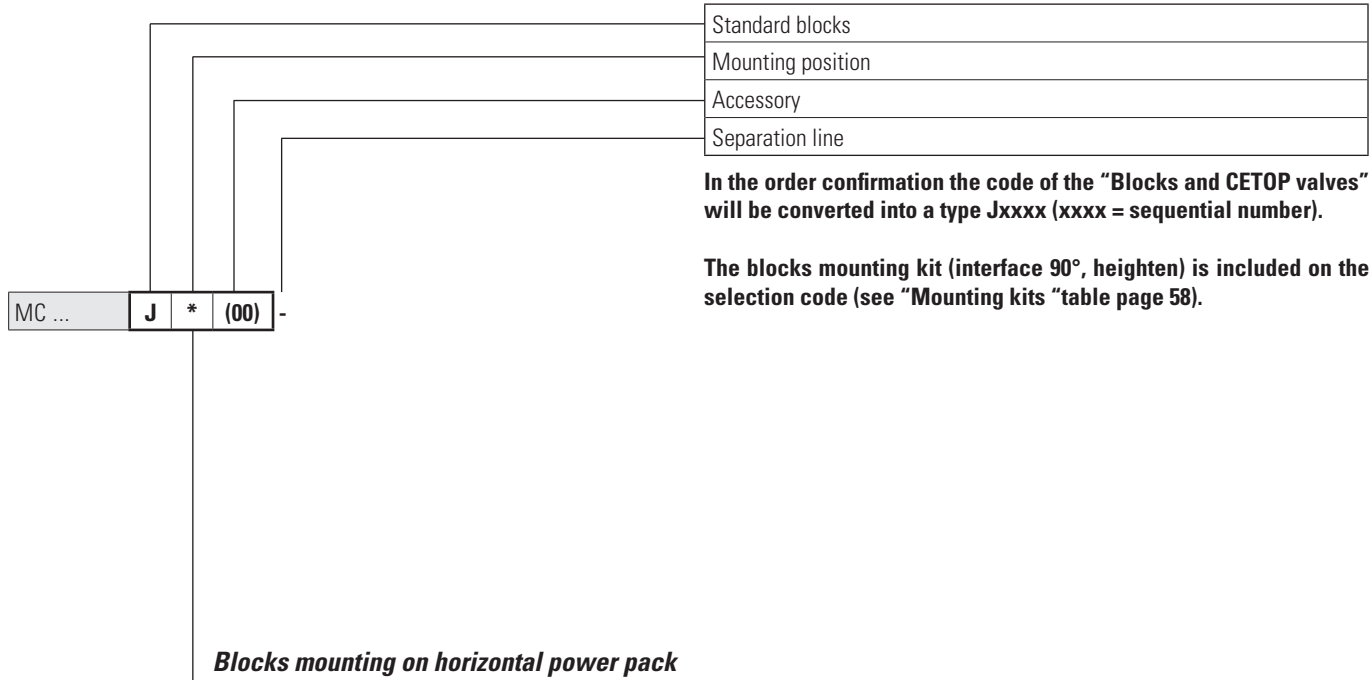


**	Transmission kit				For AC motors		Page
	Code	Pump	L	Ø	Ref.	Size	
1T	KIT01008.131	Gr. 1	41.5	20	T V	80-90 (direct fixing)	51



"Z" : dimension of the coupling side motor

VII



Blocks mounting on horizontal power pack

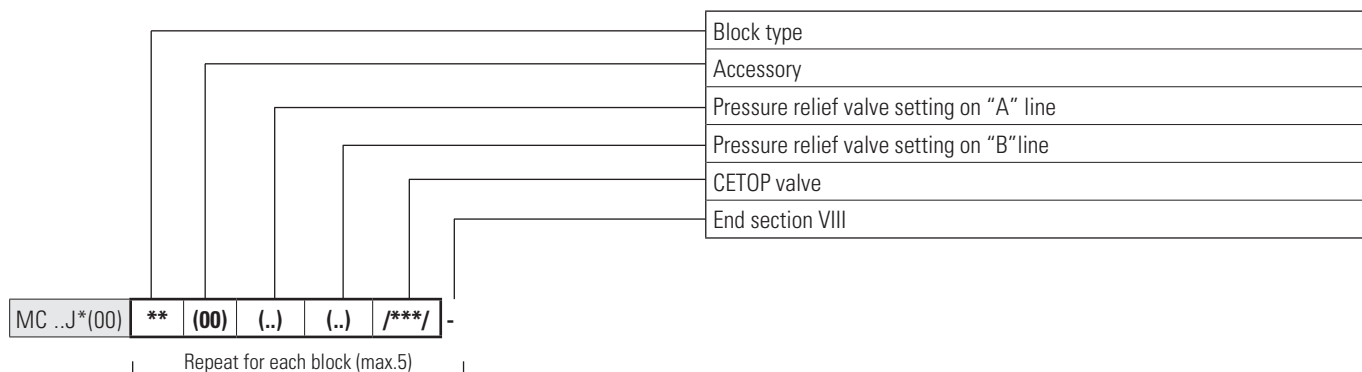
<p>J 0</p> <p>Blocks orthogonal to the axis Except AC motors ref. size M-N-P</p>	<p>J A</p> <p>Blocks orthogonal to the axis with heighten For AC motors ref. size M-N-P</p>	<p>J B</p> <p>Blocks parallel to the axis with interface 90° Except AC motors ref. size P</p>	<p>J C</p> <p>Blocks parallel to the axis with heighten and interface 90° For AC motors ref. size P</p>
--	---	---	---

The blocks can not be mounted with motors oriented in position "1" (DC motors, see page 46. AC motors, see page 52).

Blocks mounting on vertical power pack

<p>J 0</p> <p>Blocks orthogonal to the axis Except AC motors ref. size M-N-P</p>	<p>J A</p> <p>Blocks orthogonal to the axis with heighten For AC motors ref. size M-N-P</p>	<p>J B</p> <p>Blocks parallel to the axis with interface 90° Except AC motors ref. size P</p>	<p>J C</p> <p>Blocks parallel to the axis with heighten and interface 90° For AC motors ref. size P</p>
--	---	---	---

The blocks can not be mounted with motors oriented in position "1" - DC motors, see page 46. AC motors, see page 52.



****** (00) (..) (..) /***/ - **Block type**

**	(00)	(..)	(..)	Description	Code	Drawing	Scheme
A1	(00)	(0)	(0)	Middle parallel - Lateral ports G1/4"	91006002.000		
A2	(00)	(0)	(0)	Middle parallel - Lateral ports G3/8"	91006003.000		
B1	(00)	(0)	(0)	Middle series - Lateral ports G1/4"	91006006.000		
B2	(00)	(0)	(0)	Middle series - Lateral ports G3/8"	91006007.000		
C1	(00)	(0)	(0)	End - Lateral ports G1/4"	91006004.000		
C2	(00)	(0)	(0)	End - Lateral ports G3/8"	91006005.000		
D1	(00)	(0)	(0)	With pressure gauge connection - Lateral ports G1/4"	91006008.000		
D2	(00)	(0)	(0)	With pressure gauge connection - Lateral ports G3/8"	91006009.000		

VIII

**** (00) (..) (..) /***/ - Block type**

**	(00)	(..)	(..)	Description	Code	Drawing	Scheme
E1	(00)	(0)	(0)	With pilot check valve on "A" port Lateral ports G1/4"	91006010.000		
E2	(00)	(0)	(0)	With pilot check valve on "B" port Lateral ports G1/4"	91006011.000		
E3	(00)	(0)	(0)	With pilot check valve on "A" and "B" ports Lateral ports G1/4"	91006012.000		
F1	(00)	(A)	(0)	With pressure relief valve on "A" port Setting 35 ÷ 90 bar - Lateral ports G1/4"	91006013.000		
		(B)	(0)	With pressure relief valve on "A" port Setting 75 ÷ 190 bar - Lateral ports G1/4"	91006014.000		
		(C)	(0)	With pressure relief valve on "A" port Setting 160 ÷ 290 bar - Lateral ports G1/4"	91006015.000		
F2	(00)	(0)	(A)	With pressure relief valve on "B" port Setting 35 ÷ 90 bar - Lateral ports G1/4"	91006016.000		
		(0)	(B)	With pressure relief valve on "B" port Setting 75 ÷ 190 bar - Lateral ports G1/4"	91006017.000		
		(0)	(C)	With pressure relief valve on "B" port Setting 160 ÷ 290 bar - Lateral ports G1/4"	91006018.000		
F3	(00)	(A)	(A)	With pressure relief valve on "A" and "B" Setting 35 ÷ 90 bar - Lateral ports G1/4"	91006019.000		
		(B)	(B)	With pressure relief valve on "A" and "B" Setting 75 ÷ 190 bar - Lateral ports G1/4"	91006020.000		
		(C)	(C)	With pressure relief valve on "A" and "B" Setting 160 ÷ 290 bar - Lateral ports G1/4"	91006021.000		
G1	(00)	(0)	(0)	Block No.13 (CRP04 valves to be ordered separately, see catalogue code. DOC00044) Lateral ports G1/4"	91006022.000		
K1	(00)	(0)	(0)	End - Hand pump	91006023.000		

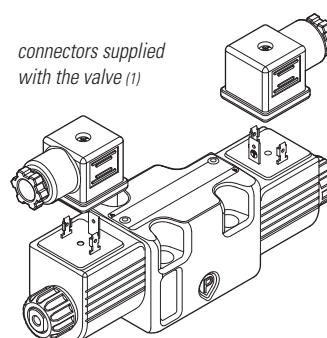
Mounting kits

Mounting kit: blocks	For No. blocks	Code
Mounting position 0-B-C	1	17070013
	2	17070015
	3	17070017
	4	17070019
Mounting position A (with heighten)	1	17070014
	2	17070016
	3	17070018
	4	17070020

Mounting kit: interface 90°	Code
Mounting position B	17070022

Mounting kit: interface 90° with heighten	Code
Mounting position C	17070023

The blocks mounting kit (interface 90°, heighten) is included on the selection code (see mounting position, page 55).



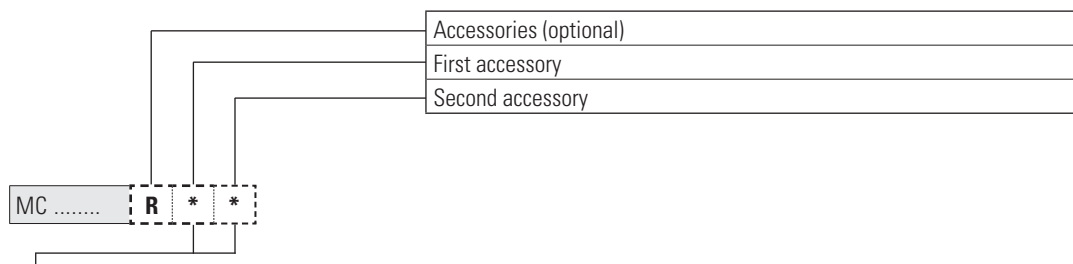
** (00) (..) (..) /***/ - **CETOP 3 valves**

/***/	Voltage	Code	Spool ⁽²⁾		Scheme	Screw kit for valve mounting
			Type	Mounting		
/000/	Without valve					
/001/	24 VDC (M)	ADC3E01CM001	01	C		V60513015
/002/	12 VDC (L)	ADC3E01CL001				
/003/	24 VDC (M)	ADC3E02CM001	02	C		
/004/	12 VDC (L)	ADC3E02CL001				
/005/	24 VDC (M)	ADC3E03CM001	03	C		
/006/	12 VDC (L)	ADC3E03CL001				
/007/	24 VDC (M)	ADC3E04CM001	04	C		
/008/	12 VDC (L)	ADC3E04CL001				

1 = Valves supplied with connector. Without connector see accessories page 59

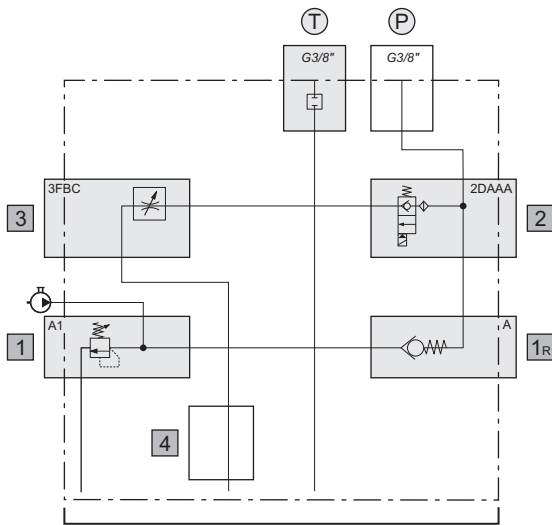
2 = More details, features and performances, see catalog Dana "Valves and Electronics" code DOC00078

Sect. IX - Accessories



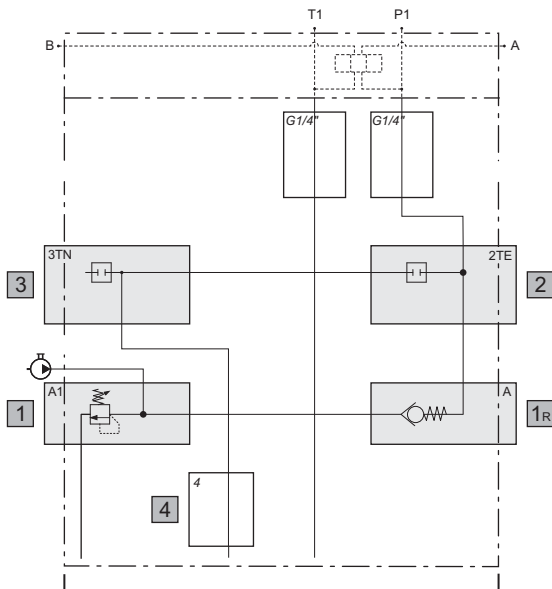
*	Description	Drawing	Code	Note
G	Standard foot, (galvanized sheet steel) thickness 2.5 mm (unassembled)		Kit (foot and screws): 17010021	All motors are compatible except orientation / 3 Tanks compatible (except for orientation / 3) S**A S**B S**C S**G S**L
B	Non-removable red plastic plug for pressure relief valve (unassembled)		Plug: 60309200	
C	Protection device for DC motors (supplied assembled)		Kit (protectin, nut, tierods, washers): 17010048	For motors: M2EN M4ES With blocks, please add the block code 91006000.000
D	High foot, (galvanized sheet steel) thickness 2 mm (unassembled)		Kit (foot and screws): 17010053	All motors are compatible except orientation / 3 Tanks compatible (except for orientation / 3) S**A S**B S**C S**D S**F S**G S**L
E	Collar in welded sheet steel, thickness 2 mm (unassembled)		Collar: 25000300 Tank fixing kit (screws and O-Ring): 17010086	
F	Without valves connectors			

Examples with MCA endhead



MCA 1 A1 A 2DAAA 3FBC -03 - ..

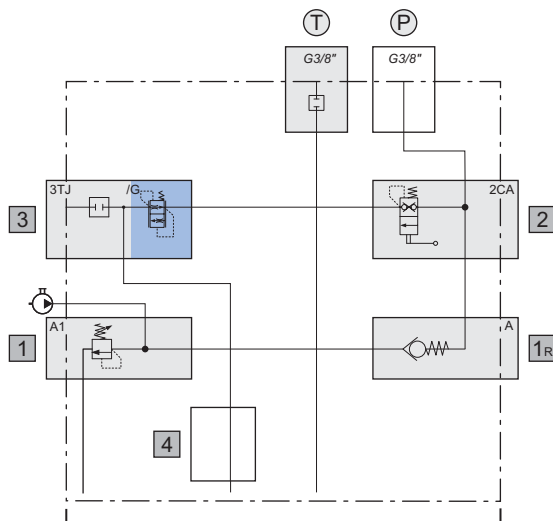
Cavity	Code	Description	Page
-	1	Thread ports P-T G3/8"	11
1	A1	Pressure relief valve with check valve (15 ÷ 50 bar) with screw and detachable closing, standard setting 50 bar	12
1R	A	Standard check valve	13
2	2DAAA	Piloted solenoid valve normally closed, without emergency. Voltage 12 VDC	15
3	3FBC	Unidirectional flow control valve compensated	18
P-T	-03	Combinations plugs on ports (P= open ; T= closed)	22
-	-	End section	—



MCA 0 A1 A 2TE 3TN -00 - ..

Cavity	Code	Description	Page
-	0	Thread ports P-T G1/4" (blocks interface)	11
1	A1	Pressure relief valve with check valve (15 ÷ 50 bar) with screw and detachable closing, standard setting 50 bar	12
1R	A	Standard check valve	13
2	2TE	Long plug 3/4 16 UNF - G1/4"	16
3	3TN	Plug	19
P-T	-00	Combinations plugs on ports (P= open ; T= open)	22
-	-	End section	—

Examples with MCB endhead



MCB 1 B1(80) A 2CA 3TJ/G -03 - ..

Cavity	Code	Description	Page
-	1	Thread ports P-T G3/8"	11
1	B1	Pressure relief valve with check valve with screw and detachable closing, special setting 80 bar	12
1R	A	Standard check valve	13
2	2CA	Lever operated valve without microswitch	15
3	3TJ/G	Plug and flow control valve 4.7 l/min	20
P-T	-03	Combinations plugs on ports (P= open ; T= closed)	22
-	-	End section	—



BREVINI[®]

Motion Systems

Code DOC00084 - Rev.04

Dana Motion Systems Italia S.r.l.

Fluid Power Division

Sede operativa: Via Giulio Natta 1, 42124 Reggio Emilia - Italy
Tel: +39.0522.270711 - Fax: +39.0522.505856

Sede legale: Via Luciano Brevini 1/A, 42124 Reggio Emilia - Italy
Tel: +39.0522.9281 - Fax: +39.0522.928300

www.dana.com/brevini - dana.re@dana.com

