

A88... MODULAR FLOW CONTROL VALVES

FAST / SLOW ASSEMBLY CETOP 5



A88...	
"A16" DC COILS	CAP. I • 40
STANDARD CONNECTORS	CAP. I • 20
QC32...	CAP. III • 2
SCREWS AND STUDS	CAP. IV • 36

This is a modular assembly ON/OFF solenoid valve which, by fitting a suitable 2 way regulator, allows two speed operation in the same system via an electrical changeover command.

The flow rate regulator type QC32 must be ordered separately.
The limit of use curves have been obtained with the regulator fully closed, and those same limits improve gradually with the opening of the regulator.

• Solenoids used are standard type A16 for DC voltage.

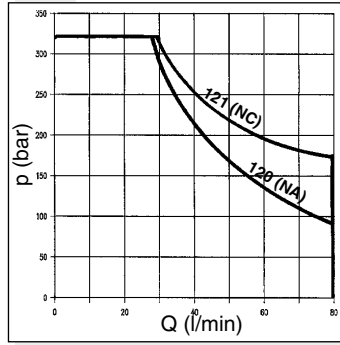
Max. operating pressure	320 bar
Hydraulic fluids	Mineral oils DIN 51524
Fluid viscosity	10 ÷ 500 mm ² /s
Fluid temperature	-25°C ÷ 75°C
Ambient temperature	-25°C ÷ 60°C
Max. contamination level	class 10 in accordance with NAS 1638 with filter $\beta_{25} \geq 75$
Weight with a DC solenoid	4,2 Kg

The test have been carried out at operating temperature, with a voltage 10% lower than rated voltage and with a fluid temperature of 50 degrees C. The fluid used was a mineral based oil with a viscosity of 46 mm²/sec at 40 degrees C.

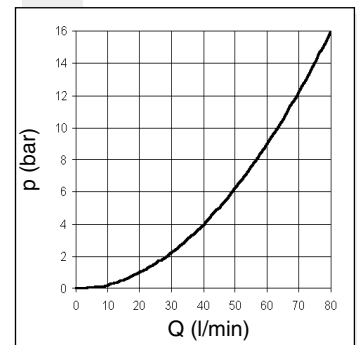
ORDERING CODE

A	Speed control valve
88	Size
E	Electrical operator
***	120 = Normally open 121 = Normally closed See table "Hydraulic symbols"
*	Control on lines A/B/P/T (see symbols) The interface holder "H" must be turned by 180° in order to obtain the A1 and B1 versions.
*	Voltage : see tab.1
**	Variants: see tab.2
3	Serial No.

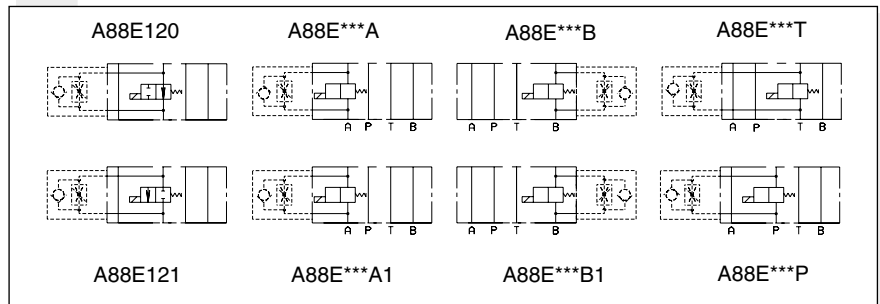
LIMITS OF USE DC SOLENOID



FREE FLOW THROUGH SPOOL



HYDRAULIC SYMBOLS



TAB.1 - A16 COIL (45W)

DC VOLTAGE **	
L	12V
M	24V
N	48V*
P	110V*
Z	102V*
X	205V*
W	Without DC coil

115Vac/50Hz
120Vac/60Hz with rectifier

230Vac/50Hz
240Vac/60Hz with rectifier

Voltage codes are not stamped on the plate, their are readable on the coils.

* Special voltage

** Technical data see Cap. VII • 7

TAB.2 - VARIANTS

No variant (without connectors)	S1(*)
Viton	SV(*)
Other variants available on request	

(*) Coils with Hirschmann connection supplied without connectors. The connectors can be ordered separately, Cap. I • 20.

