



AD5L... LEVER OPERATED TYPE VALVES CETOP 5

Max. pressure ports P/A/B	320 bar
Max. pressure port T	160 bar
Max. flow	100 l/min
Lever angle	2 x 15°
Fluid viscosity	10 ÷ 500 mm ² /s
Fluid temperature	-25°C ÷ 75°C
Ambient temperature	-25°C ÷ 60°C
Max. contamination level	class 10 in accordance with NAS 1638 with filter β ₂₅ ≥ 75
Weight	4,7 Kg
Weight with M1 variant	5,35 Kg

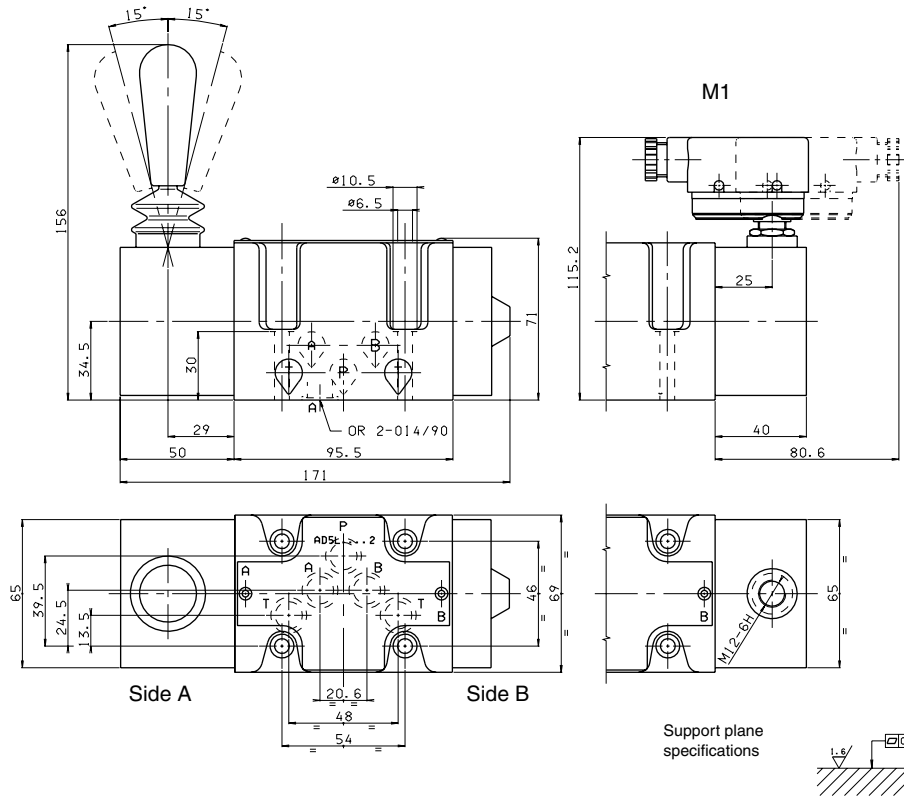
- Possible mounting: **C / E / F** (with mounting "F" and spools "15-16-17" the lever is on side "B")
- There is no **D** type mounting
- The variant **D1** specifies the detent (mechanical connection) for lever operation
- The springs for the version with detent (variant **D1**) are different from those for standard versions.

AD5L...	
ORDERING CODE	CAP. I • 34
STANDARD SPOOLS	CAP. I • 35

- Completely different spools are used for these (lever operated) valves than for all other types of operation (e.g. electrical, mechanical, pneumatic operation,
- Available spools: 01 / 02 / 03 / 04 / 05 / 06 / 66 / 07 / 22 / 13 / 15 / 16 / 17 (for hydraulic symbols see Cap. I • 35).
- Microswitch type AM1107 code V79000001 can be ordered separately.

OVERALL DIMENSIONS

M1 = Microswitch



Fixing screws UNI 5931 M6x40
with material specifications min. 8.8
Tightening torque 8 Nm / 0.8 Kgm