

# AM66... MODULAR COMPENSATED FLOW CONTROL ASSEMBLY CETOP 3



This is an intermediate block for modular mounting of one or two flow rate regulators type QC3...

The flow regulator type QC3\* must be ordered separately.

Max. operating pressure	320 bar
Hydraulic fluids	Mineral oils DIN 51524
Fluid viscosity	10 ÷ 500 mm <sup>2</sup> /s
Fluid temperature	-25°C ÷ 75°C
Ambient temperature	-25°C ÷ 60°C
Max. contamination level	class 10 in accordance with NAS 1638 with filter $\beta_{25} \geq 75$
Weight	1,3 Kg

## AM066...

QC32...	CAP. III • 2
QC33...	CAP. III • 3
SCREWS AND STUDS	CAP. IV • 21

4

## ORDERING CODE

AM

Modular valve

66

Size

\*\*

Control on lines

**A / B / P / PT\* / AB**

For T / A1 / B1 / A1B1 versions see table "Hydraulic symbols"

\*\*

**00** = No variant

**V3** = regulators for three-way QC33 (only with adjustment of P)

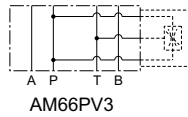
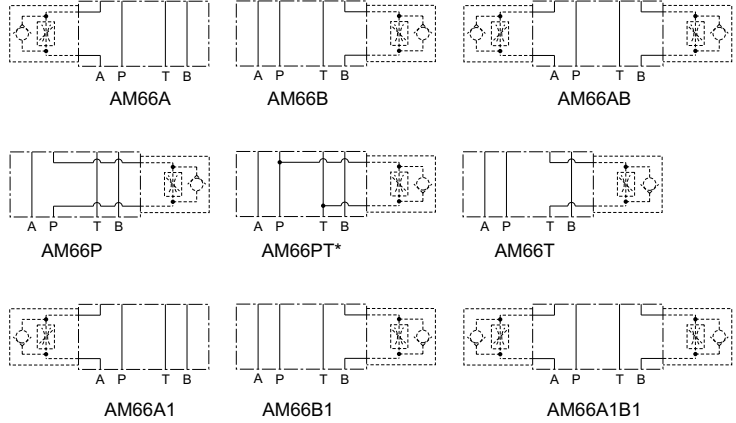
**V1** = Viton

3

Serial No.

## HYDRAULIC SYMBOLS

### For regulators two-way QC32



### For regulators for three-way QC33

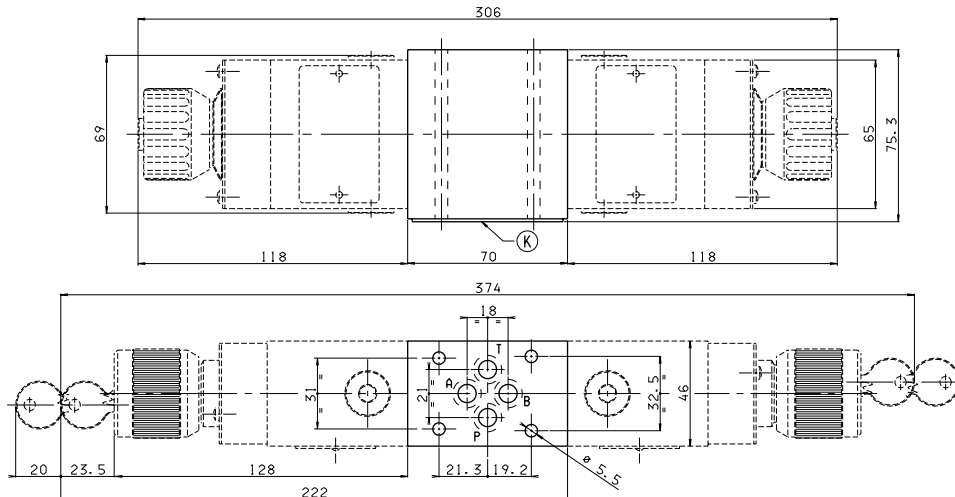
**PT\*** = From line towards exhaust (P → T drain)

• In order to obtain versions with regulation on T, the AM66P regulator carrying block should be turned by 180°.

• In order to obtain versions **A1**, **B1** and **A1B1** the AM66A, AM66B or AM66AB regulators carrying block should be turned by 180°.

## OVERALL DIMENSIONS

K = OR plate



Support plane specifications

