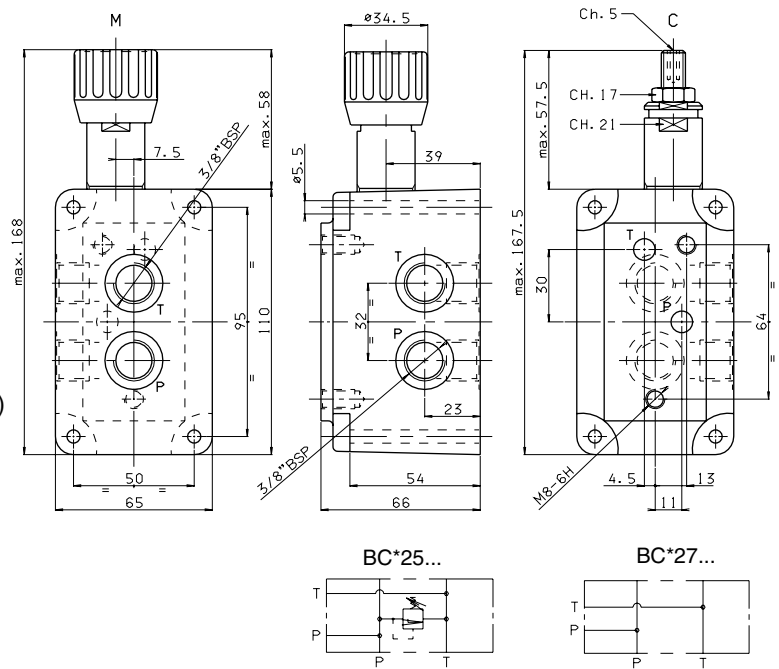


BC.06... MODULAR COMPONENTS

BC0625/27 P AND T REAR AND SIDE CONNECTORS 3/8" BSP - 2 RODS

- BC** Module base
- 06** CETOP 3/NG6
- **** **25** = 3/8" BSP rear and side connectors with CMP
27 = 3/8" BSP rear and side connectors without CMP
- *** Adjustment (omit for BC0627 version)
M = Plastic knob
C = Grub screw
- *** Setting range (omit for BC0627 version)
1 = max. 50 bar (**white spring**)
2 = max. 150 bar (**yellow spring**)
3 = max. 320 bar (**green spring**)
- 00** No variant
- 1** Serial No.



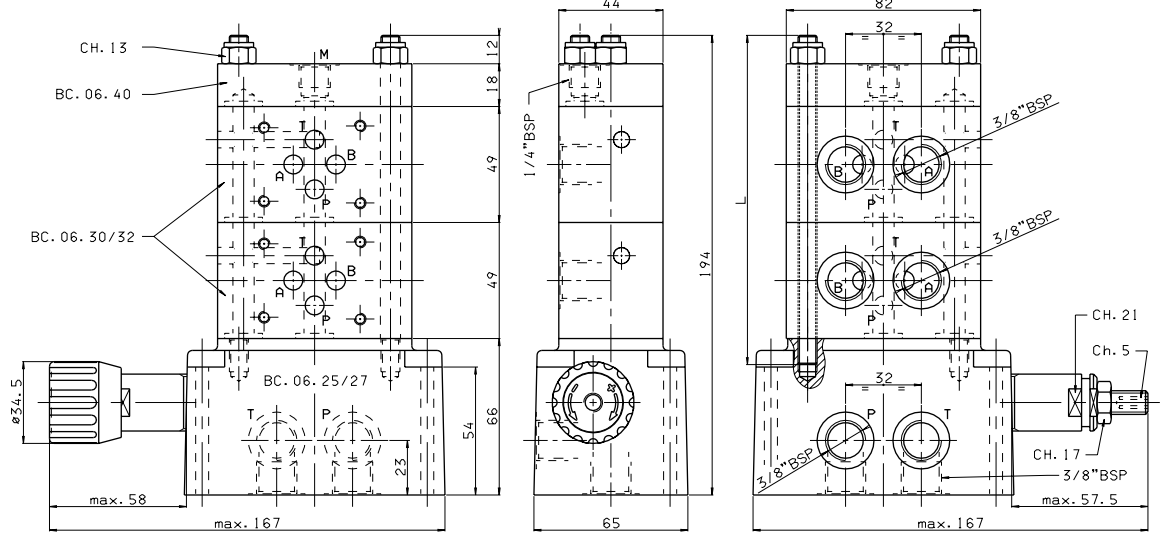
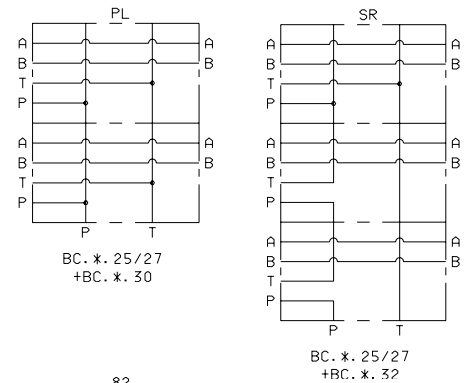
Weight BC325 : 3 Kg
 Weight BC327 : 2,8 Kg
 Fixing screws M5x65 UNI 5931

• The minimum permissible setting pressure depending on the spring:
 see cartridge valve type CMP10... Cap. VII • 30

ASSEMBLED MODULAR COMPONENT BASES - 2 RODS

Rods code	L	Composition
BC0641/2	M8020001	138 BC0625/27 + 2 BC0630/32 + BC0640
BC0641/3	M8020002	187 BC0625/27 + 3 BC0630/32 + BC0640
BC0641/4	M8020003	236 BC0625/27 + 4 BC0630/32 + BC0640
BC0641/5	M8020004	285 BC0625/27 + 5 BC0630/32 + BC0640
BC0641/6	M8020005	334 BC0625/27 + 6 BC0630/32 + BC0640
BC0641/7	M8020006	382 BC0625/27 + 7 BC0630/32 + BC0640
BC0641/8	M8020007	430 BC0625/27 + 8 BC0630/32 + BC0640

Nuts code Q26560514
Pieces 2



- For series connection the last block high up should be connected in parallel (BC0630)
- Single components should be ordered separately
- The minimum permissible setting range depending on the spring: see cartridge valve type CMP.10... Cap. VII • 30

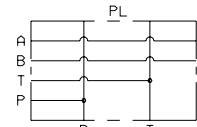
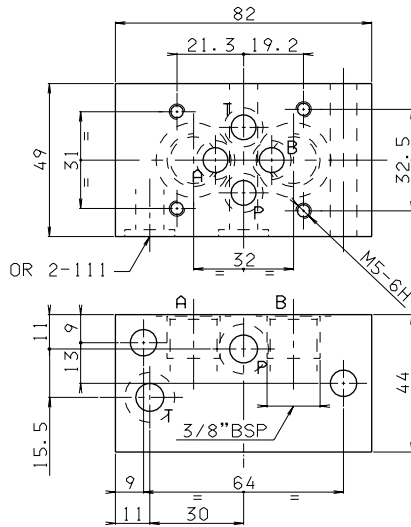
7

BC06... MODULAR COMPONENTS

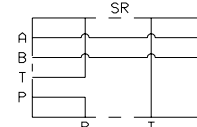
BC0630/32 - 2 RODS

- BC** Module base
- 06** CETOP 3/NG6
- **** **30** = 3/8" BSP connectors in parallel
32 = 3/8" BSP connectors in series
- 00** No variant
- 1** Serial No.

Weight: 1,1 Kg



BC*30...

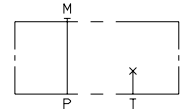
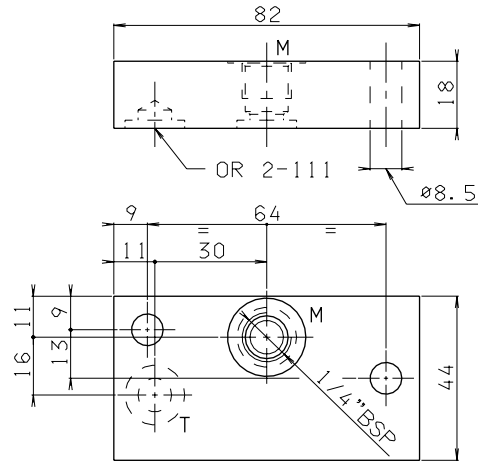


BC*32...

BC0640 - 2 RODS

- BC** Module base
- 06** CETOP 3/NG6 - 2 rods
- 40** Blanking
- 00** No variant
- 1** Serial No.

Weight: 0,4 Kg



BC0641/* RODS FOR MODULAR ASSEMBLY

Rod code	Pieces	L	Composition
BC0641/2001	2	138	for 2 solenoid valves
BC0641/3001	2	187	for 3 solenoid valves
BC0641/4001	2	236	for 4 solenoid valves
BC0641/5001	2	285	for 5 solenoid valves
BC0641/6001	2	334	for 6 solenoid valves
BC0641/7001	2	382	for 7 solenoid valves
BC0641/8001	2	430	for 8 solenoid valves

Tightening torque: 23 Nm (±2 Nm)

