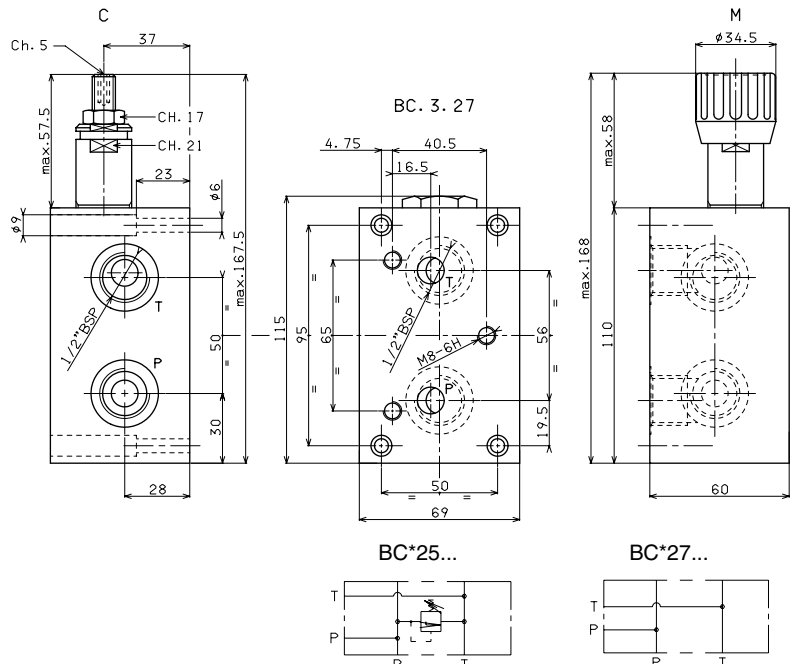


BC3... MODULAR COMPONENTS

BC325/27 P/T REAR AND SIDE CONNECTORS 1/2" BSP- 3 RODS

- BC** Module base
- 3** CETOP 3/NG6
- **** **25** = 1/2" BSP rear and side connectors with CMP
27 = 1/2" BSP rear and side connectors without CMP
- *** Adjustment (omit for 27 version)
M = Plastic knob
C = Grub screw
- *** Setting range (omit for 27 version)
1 = max. 50 bar (**white spring**)
2 = max. 150 bar (**yellow spring**)
3 = max. 320 bar (**green spring**)
- 00** No variant
- 1** Serial No.

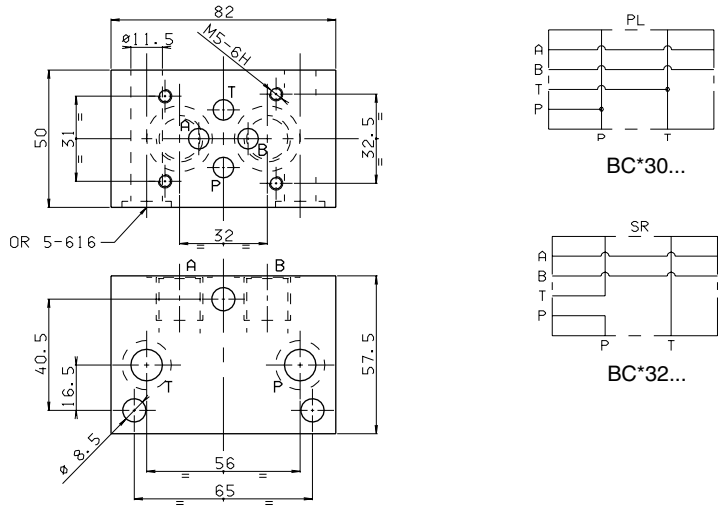


Weight BC.3.25: 2,7 Kg
 Weight BC.3.27: 2,6 Kg
 Fixing screws M5x30 UNI 5931

• The minimum permissible setting pressure depending on the spring:
 see cartridge valve type CMP10... Cap. VII • 30

BC330/32 - 3 RODS

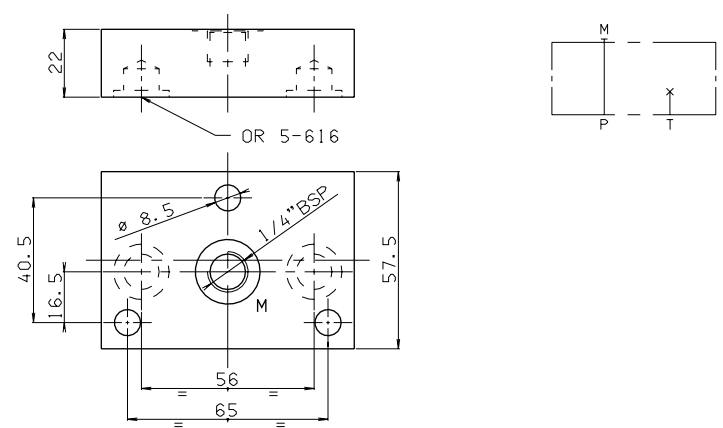
- BC** Module base
- 3** CETOP 3/NG6
- **** **30** = 3/8" BSP connectors in parallel
32 = 3/8" BSP connectors in series
- 00** No variant
- 1** Serial No.



Weight Kg. 1,4

BC340 - 3 RODS

- BC** Module base
- 3** CETOP 3/NG6
- 40** Blanking
- 00** No variant
- 1** Serial No.



Weight: 0,7 Kg

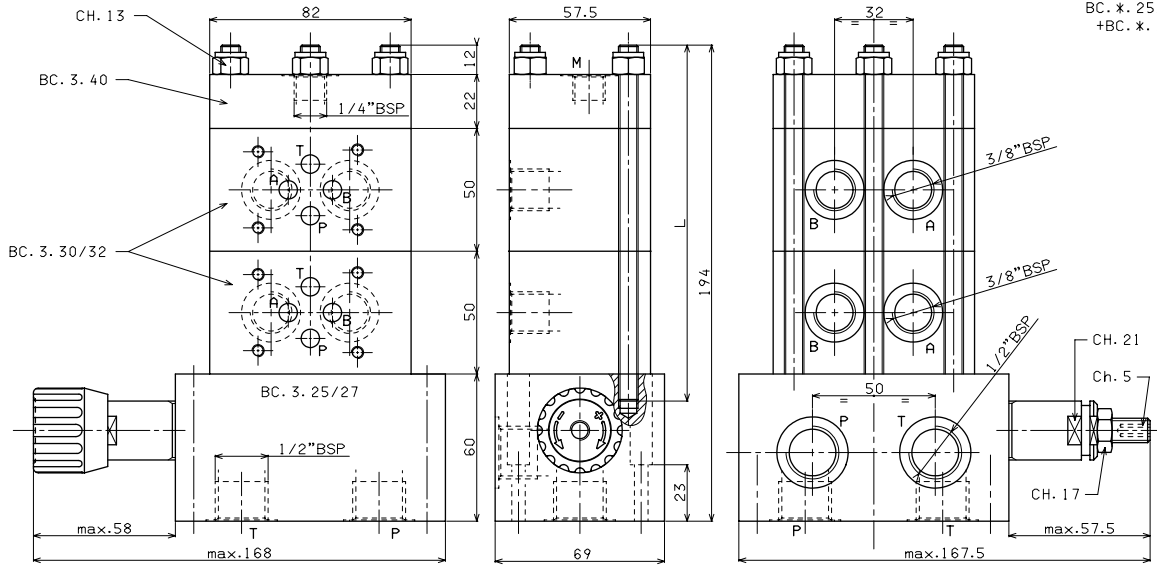
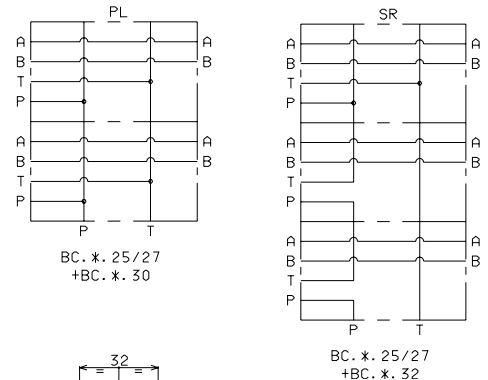
7

BC3... MODULAR COMPONENTS

ASSEMBLED MODULAR COMPONENT BASES - 3 RODS

Rods code	L	Composition
BC341/2	M80200010	146 BC325/27 + 2 BC330/32 + BC340
BC341/3	M80200011	196 BC325/27 + 3 BC330/32 + BC340
BC341/4	M80200012	246 BC325/27 + 4 BC330/32 + BC340
BC341/5	M80200013	296 BC325/27 + 5 BC330/32 + BC340
BC341/6	M80200014	346 BC325/27 + 6 BC330/32 + BC340
BC341/7	M80200015	396 BC325/27 + 7 BC330/32 + BC340
BC341/8	M80200016	446 BC325/27 + 8 BC330/32 + BC340

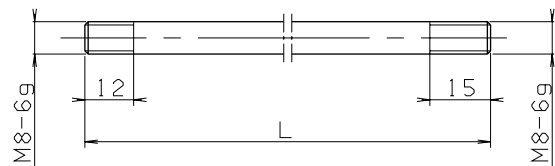
Nuts code Q26560514
Pieces 3



- For series connection the last block high up should be connected in parallel (BC330)
- Single components should be ordered separately
- The minimum permissible setting pressure depending on the spring: see cartridge valve type CMP10... Cap. VII • 30

BC341/* RODS FOR MODULAR ASSEMBLY

Rod code	Pieces	L	Composition
BC341/2001	3	146	for 2 solenoid valves
BC341/3001	3	196	for 3 solenoid valves
BC341/4001	3	246	for 4 solenoid valves
BC341/5001	3	296	for 5 solenoid valves
BC341/6001	3	346	for 6 solenoid valves
BC341/7001	3	396	for 7 solenoid valves
BC341/8001	3	446	for 8 solenoid valves



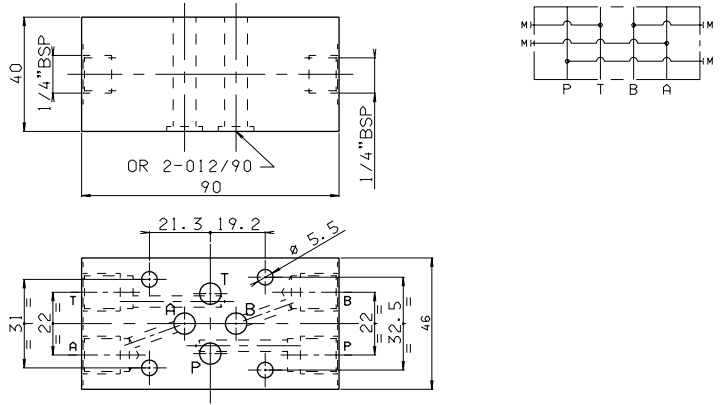
Tightening torque: 23 Nm (± 2 Nm)

BC3... MODULAR COMPONENTS

BC350 INTERMEDIATE MODULE FOR PRESSURE GAUGE CONNECTION

- BC** Module base
- 3** CETOP 3/NG6
- 50** Intermediate module for pressure gauge connection at ports A/B/P/T
- 00** No variant
- 1** Serial No.

Weight: 1 Kg



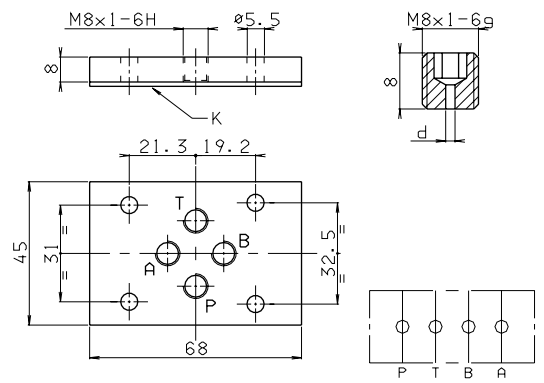
BC351 DOWEL BASE PLATE FOR SOLENOID VALVE

- BC** Module base
- 3** CETOP 3/NG6
- 51** Dowel base plate
- 00** No variant
- 1** Serial No.

Weight: 0,2 Kg

K = plate OR (Q25.95.0001)

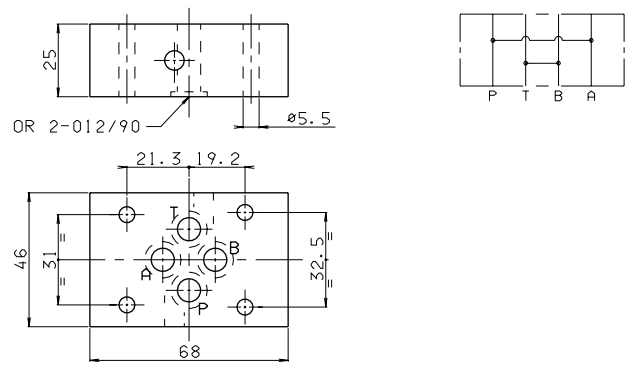
CALIBRATED DIAPHRAGMS AVAILABLE	
d	M8x1x8
0.6	M89100007
0.7	M89100008
0.8	M89100009
0.9	M89100012
1	M89100010
1.2	M89100011
1.4	M89100038
1.5	M89100035
1.75	M89100042
2	M89100041
2.5	M89100036



BC307 BASE PLATE FOR DOUBLE FLOW RATE P→A AND B→T

- BC** Module base
- 3** CETOP 3/NG6
- 07** bases plate for twin flow rate
- 00** No variant
- 1** Serial No.

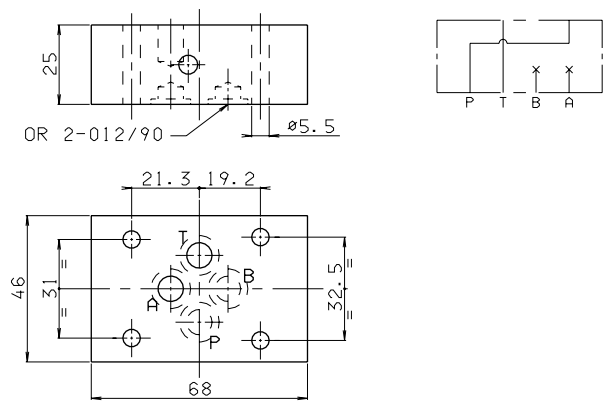
Weight: 0,5 Kg



BC3107 BASE PLATE FOR USING 4 WAY VALVE AS 2 WAY ONLY

- BC** Module base
- 3** CETOP 3/NG6
- 107** base for using 4 way valve as 2 way only
- 00** No variant
- 1** Serial No.

Weight: 0,5 Kg



7