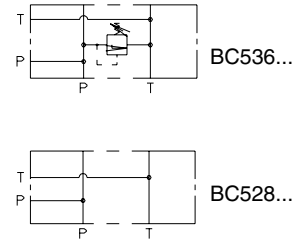


BC5... MODULAR COMPONENTS

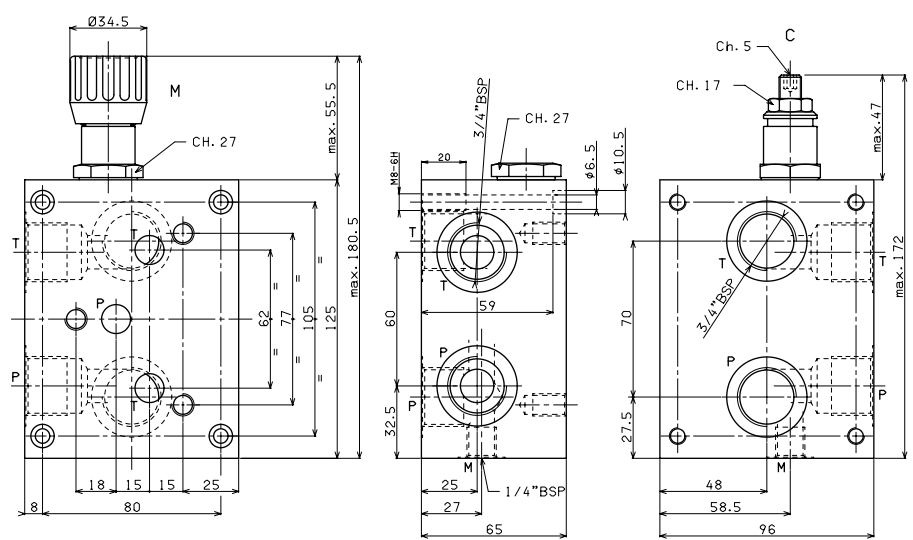
BC536/28 P AND T REAR AND SIDE CONNECTORS 3/4" BSP

- BC** Module base
- 5** CETOP 5/NG10
- **** **36** = 3/4" BSP (P and T rear and side connectors with pressure relief valve)
28 = 3/4" BSP (P and T rear and side connectors without pressure relief valve)
- *** Type adjustment (omit for 28 version)
M = Plastic knob
C = Grub screw
- *** Setting range (omit for 28 version)
1 = max. 50 bar (**white spring**)
2 = max. 140 bar (**yellow spring**)
3 = max. 350 bar (**green spring**)
- 00** No variant
- 1** Serial No.



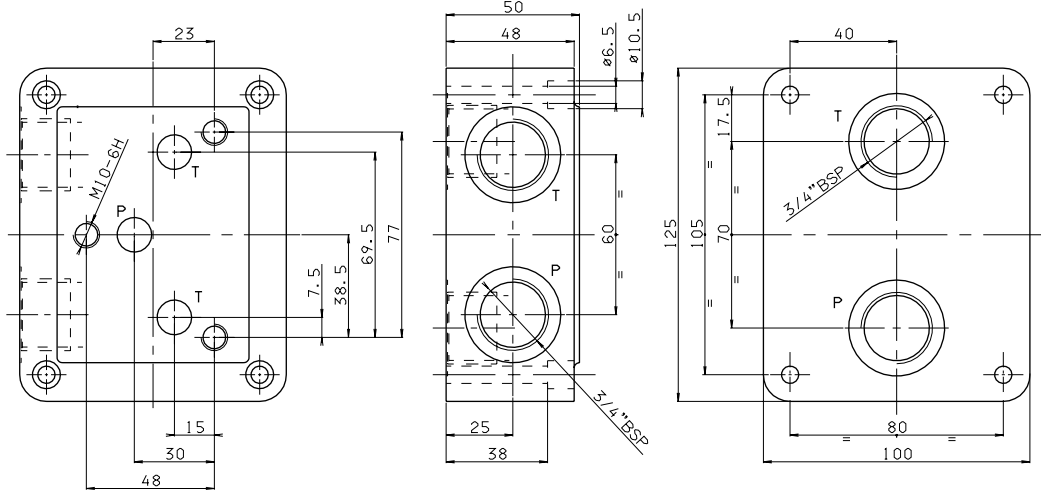
•The minimum permissible setting pressure valve is the same for all spring: see cartridge valve type CMP30...

BC536 P/T REAR AND SIDE CONNECTORS WITH PRESSURE RELIEF VALVE



Weight: 5,3 Kg
Fixing screws M6x70 UNI 5931

BC528 P/T REAR AND SIDE CONNECTORS WITHOUT PRESSURE RELIEF VALVE



Weight: 3,9 Kg
Fixing screws M6x50 UNI 5931

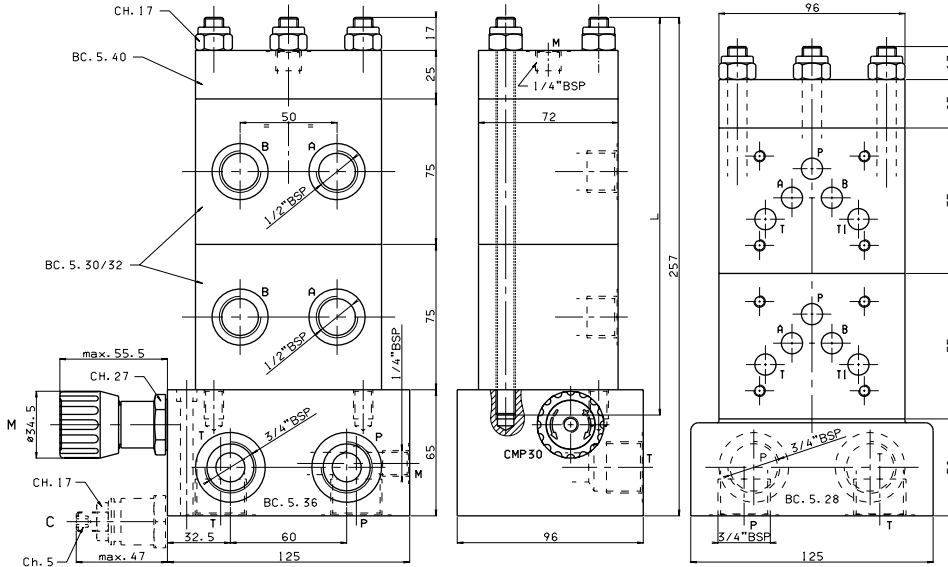
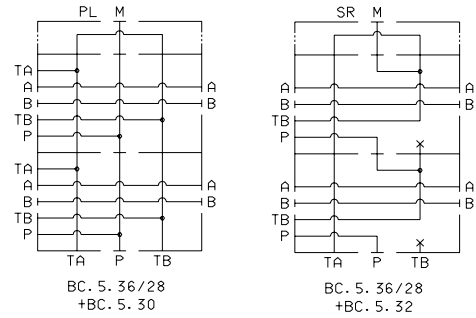
7

BC5... MODULAR COMPONENTS

ASSEMBLED BASE MODULES - 3 RODS

Rods code	L	Composition
BC541/2	M80250001	205 BC536/28+ 2 BC530/32 + BC540
BC541/3	M80250002	280 BC536/28+ 3 BC530/32 + BC540
BC541/4	M80250003	355 BC536/28+ 4 BC530/32 + BC540
BC541/5	M80250004	430 BC536/28+ 5 BC530/32 + BC540
BC541/6	M80250005	505 BC536/28+ 6 BC530/32 + BC540
BC541/7	M80250006	580 BC536/28+ 7 BC530/32 + BC540
BC541/8	M80250007	655 BC536/28+ 8 BC530/32 + BC540

Nuts code Q26560545
Pieces 3

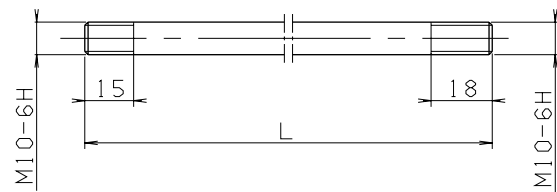


- Single components should be ordered separately
- The minimum permissible setting pressure is the same for all spring: see cartridge valve type CMP30...

7

BC541/* RODS FOR MODULAR ASSEMBLIES

Rods code	Pieces	L	Composition
BC541/2001	3	205	for 2 solenoid valve
BC541/3001	3	280	for 3 solenoid valve
BC541/4001	3	355	for 4 solenoid valve
BC541/5001	3	430	for 5 solenoid valve
BC541/6001	3	505	for 6 solenoid valve
BC541/7001	3	580	for 7 solenoid valve
BC541/8001	3	655	for 8 solenoid valve

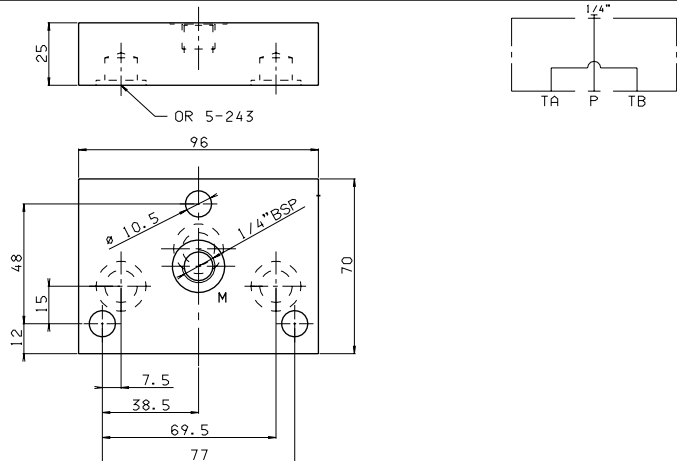


Tightening torque: 47 Nm (±2 Nm)

BC540...

- BC** Module base
- 5** CETOP 5/NG10 - 3 rods
- 40** Blanking
- 00** No variant
- 1** Serial No.

Weight: 1 Kg

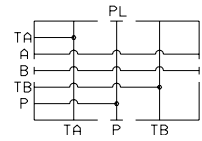
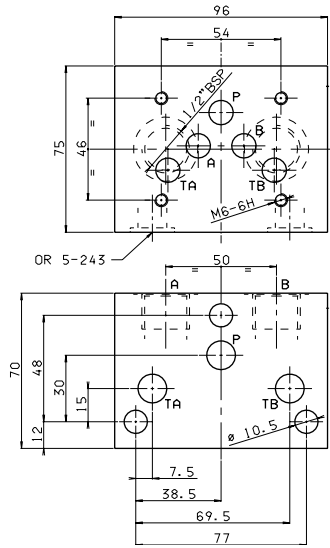


BC5... MODULAR COMPONENTS

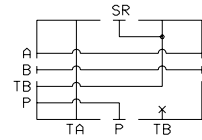
BC530/32

- BC** Module base
- 5** CETOP 5/NG10 - 3 rods
- ****
 - 30** = 1/2" BSP connectors in parallel
 - 31** = 3/4" BSP connectors in parallel
 - 32** = 1/2" BSP connectors in series
- ****
 - 00** = No variant
 - AI** = A and B rear connector
 - AS** = A and B upper connectors
- 1** Serial No.

Weight: 3 Kg



BC530...
BC531...



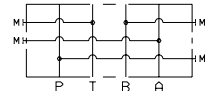
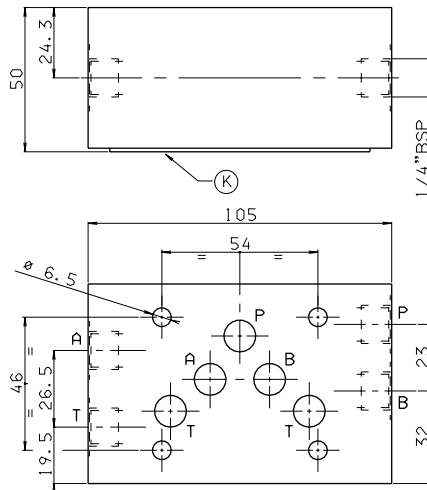
BC.5.32...

BC550 INTERMEDIATE MODULE FOR PRESSURE GAUGE

- BC** Module base
- 5** CETOP 5/NG10
- 50** Intermediate module for pressure gauge connection at ports A/B/P/T
- 00** No variant
- 1** Serial No.

Weight: 2,3 Kg

K = plate OR (Q25950002)



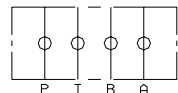
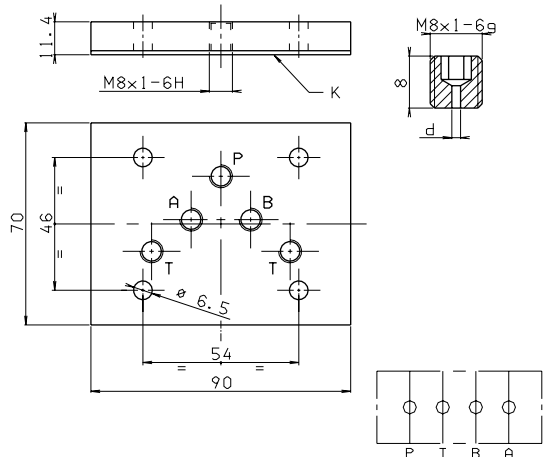
BC551 DOWEL PLATE FOR SOLENOID VALVE

- BC** Module base
- 5** CETOP 5/NG10
- 51** Subplate for solenoid valve
- 00** No variant
- 1** Serial No.

Weight: 0,5 Kg

K = plate OR (Q25950002)

CALIBRATED DIAPHRAGMS AVAILABLE	
d	M8x1x8
0.6	M89100007
0.7	M89100008
0.8	M89100009
0.9	M89100012
1	M89100010
1.2	M89100011
1.4	M89100038
1.5	M89100035
1.75	M89100042
2	M89100041
2.5	M89100036

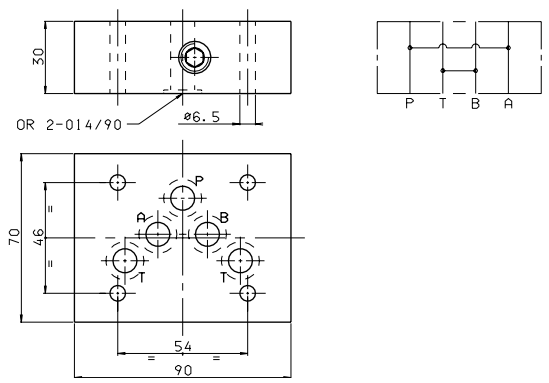


BC5... MODULAR COMPONENTS

BC507 BASE FOR DOUBLE FLOW RATE P→A E B→T

- BC** Module base
- 5** CETOP 5/NG10
- 07** Base for double flow rate
- 00** No variant
- 1** Serial No.

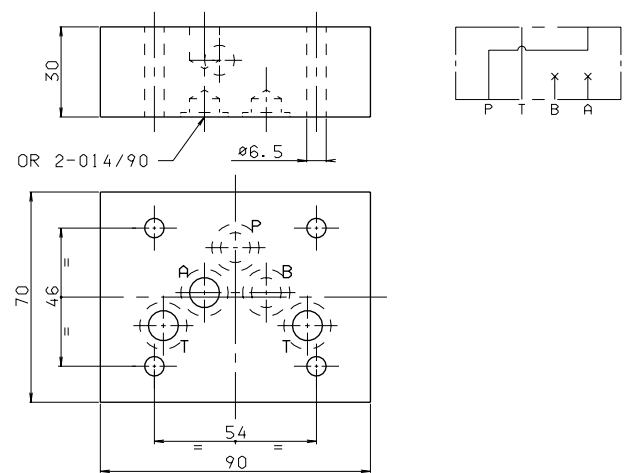
Weight: 1,2 Kg



BC5107 BASE FOR USE WITH 2 WAY VALVE

- BC** Module base
- 5** CETOP 5/NG10
- 107** Base for use with 2 way valve
- 00** No variant
- 1** Serial No.

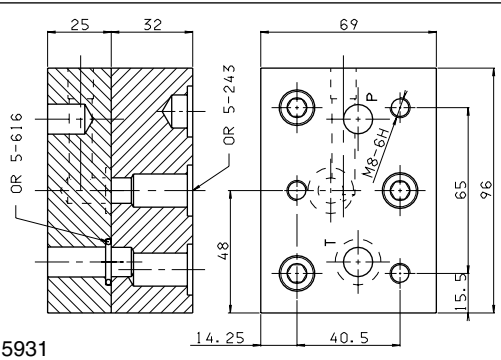
Weight: 1,2 Kg



BC53A REDUCTION BASE FROM BC5... TO BC3...

- BC** Module base
- 5** CETOP 5/NG10 - 3 rods
- 3A** CETOP 3/NG6 - 3 rods
- 00** No variant
- 1** Serial No.

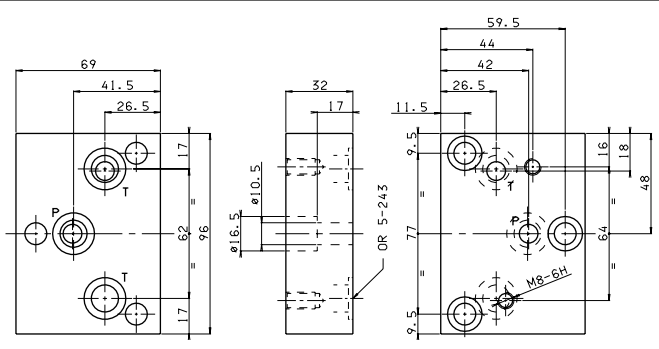
Weight: 2,4 Kg - Fixing screws M10x30 UNI 5931



BC1006 REDUCTION BASE FROM BC5... TO BC06...

- BC** Module base
- 10** CETOP 5/NG10 - 3 rods
- 06** CETOP 3/NG6 - 2 rods
- 00** No variant
- 1** Serial No.

Weight: 1,3 Kg - Fixing screws M10x30 UNI 5931



7