

CETOP 3 SUBPLATES

BS301... / BS30*...	CAP. VII • 7
BS310/11... / BS312/13...	
BS314/15... / BS316/17...	CAP. VII • 8
BS320/21... / BSVMP10...	
BS3W...	CAP. VII • 9
BC325/27... / BC330/32...	
BC340...	CAP. VII • 10
BC341/*...	
BC350... / BC351...	
BC307... / BC3107...	CAP. VII • 12
BC308... / BC309...	
BC06XQ3... / BC06XQP3...	CAP. VII • 13
BC0625/27...	CAP. VII • 14
BC0630/32... / BC0640...	
BC0641/*...	CAP. VII • 15
BM3.**... / BM360...	CAP. VII • 16
BM350... / BM370...	CAP. VII • 17
BM352... / BM372...	CAP. VII • 18
CMP10...	CAP. VII • 30
XQ3...	CAP. VII • 20
XQP3...	CAP. VII • 22

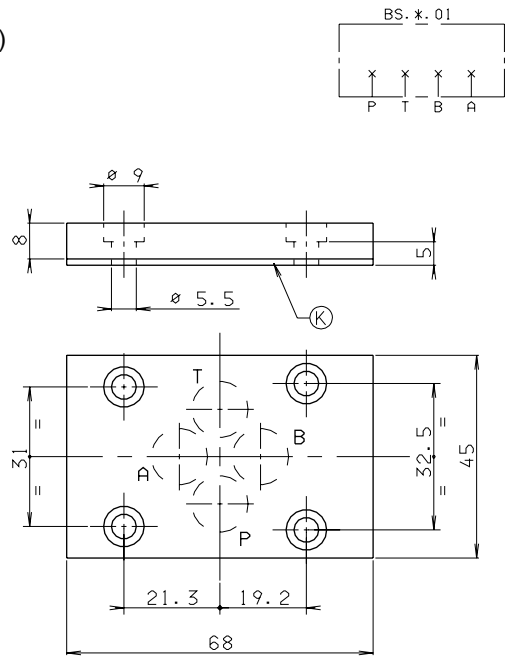
BS3... SINGLE STATION SUBPLATE

BS301...

- BS** Single subplate (blanking)
- 3** CETOP 3/NG6
- 01** P / T / A / B closed
- 00** No variant
- 1** Serial No.

Weight: 0,2 Kg
 Fixing screws M5x14 UNI 5931
 K = plate OR (Q25.95.0001)

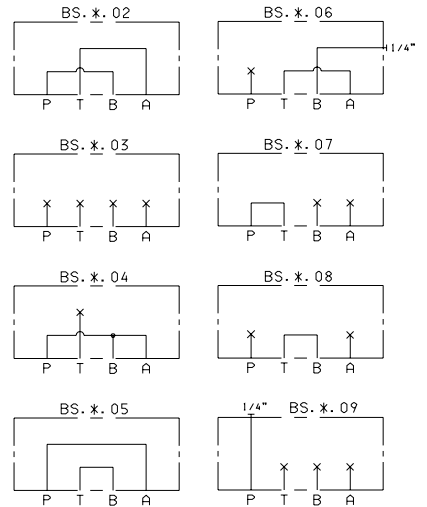
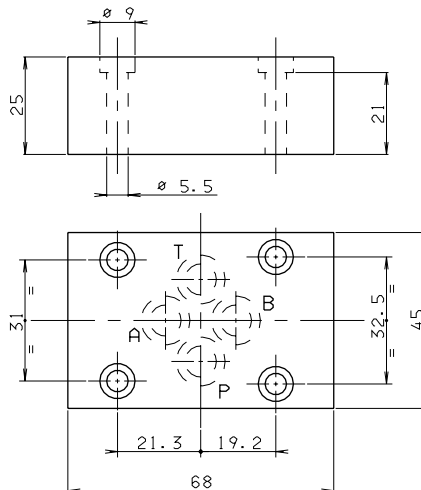
Use for pressures up to 200 bar.



BS3...**

- BS** Single subplate (blanking)
- 3** CETOP 3/NG6
- **** 02/03/04/05/06/07/08/09
- 00** No variant
- 1** Serial No.

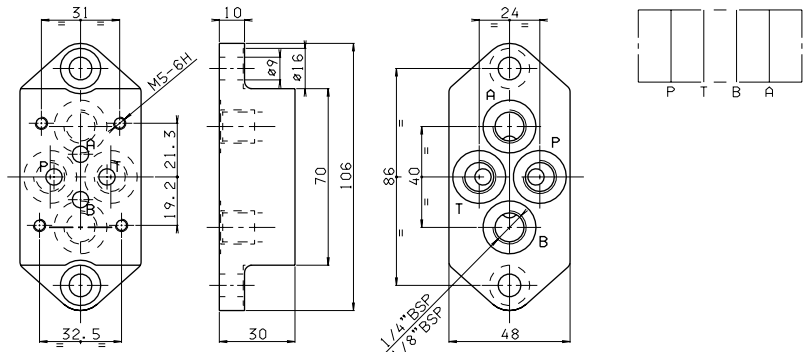
Weight: 0,5 Kg
 Fixing screws M5x30 UNI 5931



BS3... SINGLE STATION SUBPLATE

BS310/11... (REAR CONNECTORS)

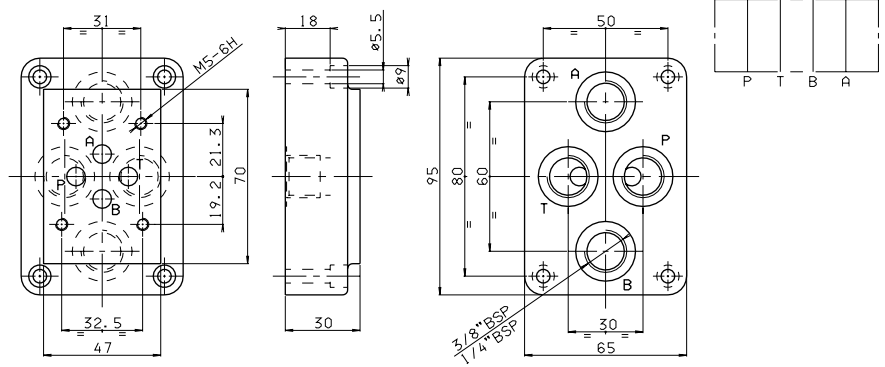
- BS** Single subplate
- 3** CETOP 3/NG6
- **** **10** = 1/8" BSP rear connectors
11 = 1/4" BSP rear connectors
- 00** No variant
- 1** Serial No.



Weight: 0,7 Kg - Fixing screws M8x20 UNI 5931

BS312/13 (REAR CONNECTORS)

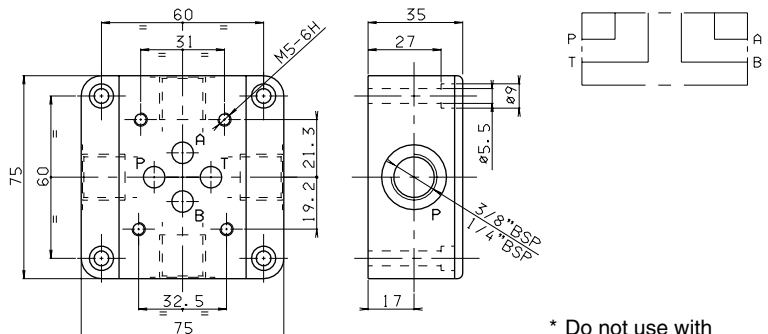
- BS** Single subplate
- 3** CETOP 3/NG6
- **** **12** = 3/8" BSP rear connectors
13 = 1/4" BSP rear connectors
- 00** No variant
- 1** Serial No.



Weight: 1 Kg - Fixing screws M5x25 UNI 5931

BS314/15 (SIDE CONNECTORS)

- BS** Single subplate
- 3** CETOP 3/NG6
- **** **14** = 3/8" BSP side connectors (*)
15 = 1/4" BSP side connectors (*)
- 00** No variant
- 1** Serial No.

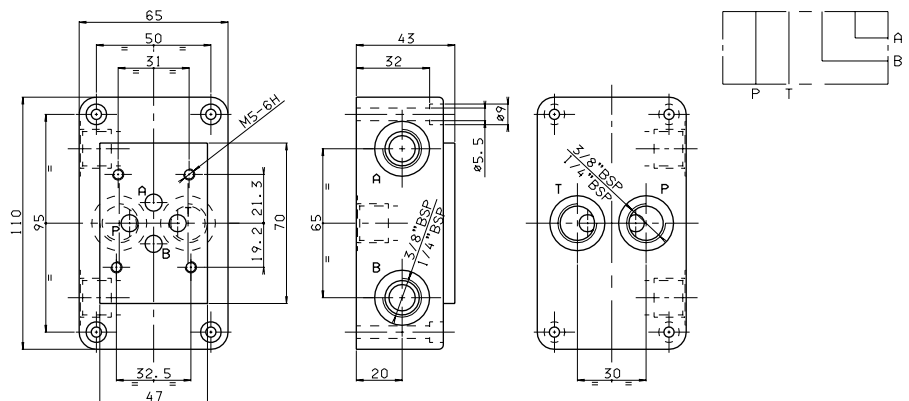


Weight: 1,2 Kg - Fixing screws M5x35 UNI 5931

* Do not use with XQP3C3-D---2

BS316/17 (CONNECTORS SIDE A AND B, REAR P AND T)

- BS** Single subplate
- 3** CETOP 3/NG6
- **** **16** = 3/8" BSP rear and side connectors
17 = 1/4" BSP rear and side connectors
- 00** No variant
- 1** Serial No.



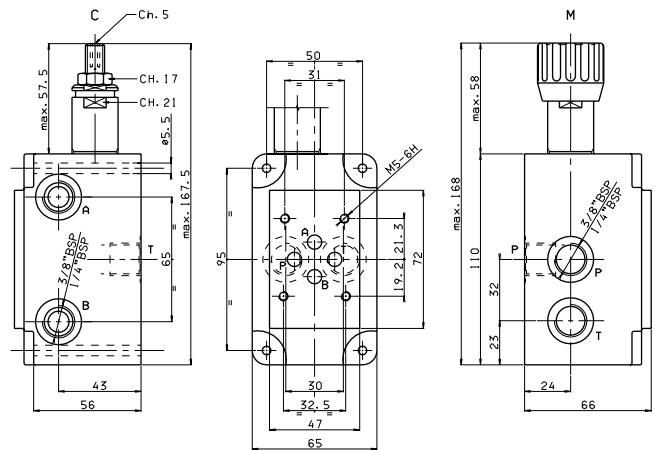
Weight: 1,8 Kg - Fixing screws M5x40 UNI 5931

7

BS3... SINGLE STATION SUBPLATE

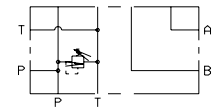
BS320/21 (CONNECTORS SIDE A AND B, REAR P AND T)

- BS** Single subplate
- 3** CETOP 3/NG6
- **** 20 = 3/8" BSP rear and side connectors
21 = 1/4" BSP rear and side connectors
- *** **M** = Plastic knob
C = Grub screws
- *** Setting range
1 = max. 50 bar (**white spring**)
2 = max. 150 bar (**yellow spring**)
3 = max. 320 bar (**green spring**)
- 00** No variant
- 1** Serial No.



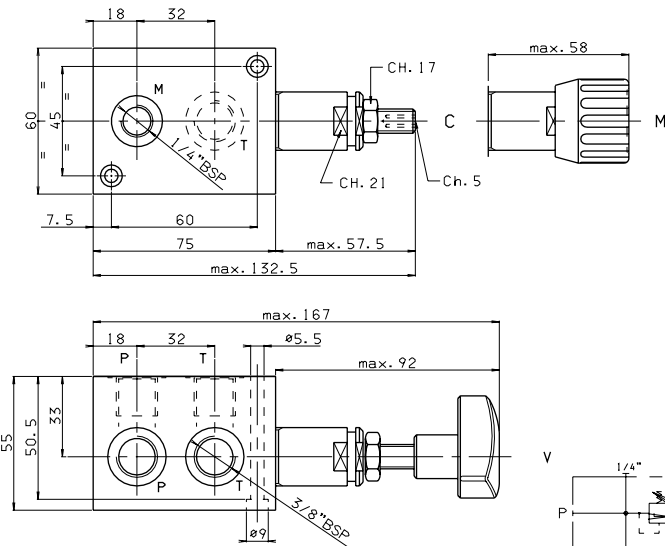
Weight: 2,9 Kg - Fixing screws M5x65 UNI 5931

• The minimum permissible setting pressure depending on the spring: see cartridge valve type CMP10... Cap. VII • 30



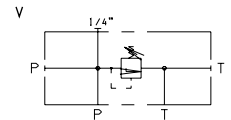
BSVMP10 SINGLE STATION SUBPLATE WITH MAX. PRESSURE VALVE FOR SURFACE MOUNTING (E.G. ON TAKE COVER)

- BS** Single subplate
- VMP** Max. pressure valve
- 10** 3/8" BSP connectors
- *** **M** = Plastic knob
C = Grub screw
V = Handwheel
- *** Setting range
1 = max. 50 bar (**white spring**)
2 = max. 150 bar (**yellow spring**)
3 = max. 320 bar (**green spring**)
- 00** No variant
- 1** Serial No.



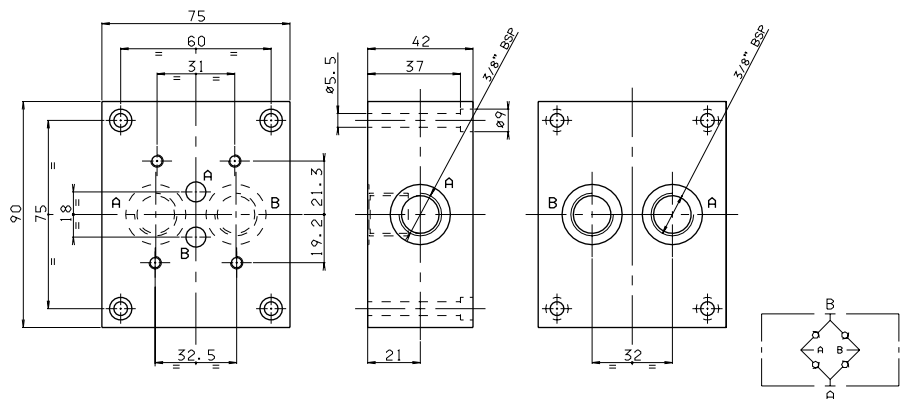
Weight: 1,6 Kg
Fixing screws M5x60 UNI 5931

• The minimum permissible setting pressure depending on the spring: see cartridge valve type CMP10... Cap. VII • 30



BS3W...

- BS** Single subplate
- 3** CETOP 3/NG6
- W** Wheatstone bridge
- 00** No variant
- 1** Serial No.



Weight: 1,8 Kg
Fixing screws M5x45 UNI 5931

7