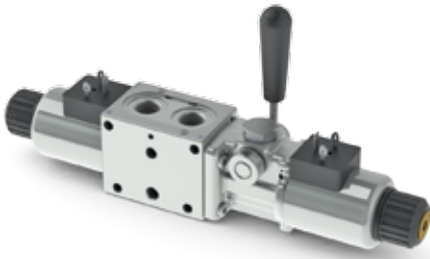
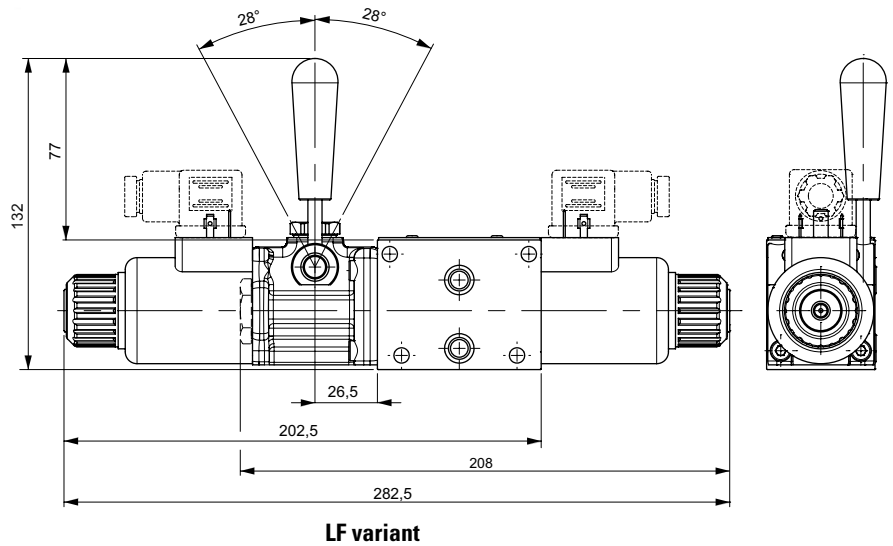


"LF" AND "LR" VARIANTS - EMERGENCY CONTROL LEVER

1



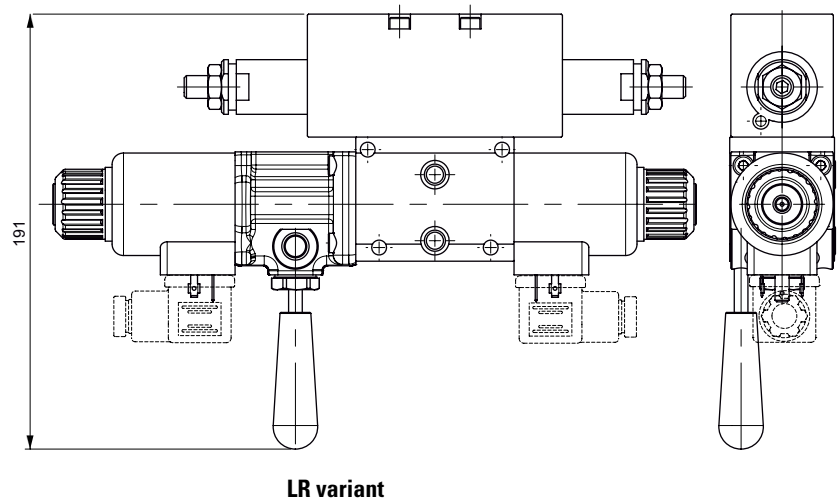
Thanks to his flexibility, the component is designed to be inserted between the valve body and the spool, providing total interchangeability between the different types of solenoid body valves manufactured by Dana Brevini. The control can be used as an emergency device in the event of power cuts.



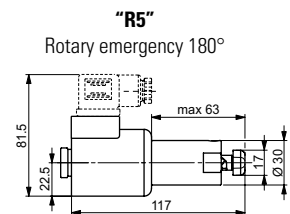
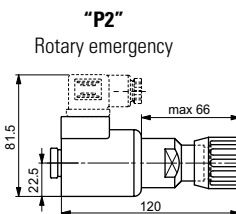
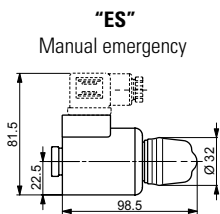
HYDRAULIC SYMBOL



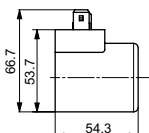
Max operating pressure port T	dynamic	160 bar
	static	210 bar
Max operating pressure port P for series connection configuration		160 bar
Mounting type		C - F - H
Spools type		01 - 02 - 03 04 - 16
Weight with single solenoid		2.35 kg
Weight with double solenoid		2.74 kg



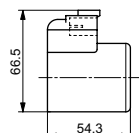
OTHER VARIANTS



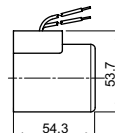
"AJ" AMP Junior
"AD" AMP Junior + Diode



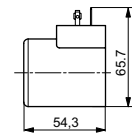
"CZ" Deutsch DT04-2P
"R6" Deutsch DT04-2P eCoat treatment



"SL"
Flying leads



"RS"
eCoat treatment



Emergency P2 and P5, tightening torque max. 6÷9 Nm (CH n. 22)