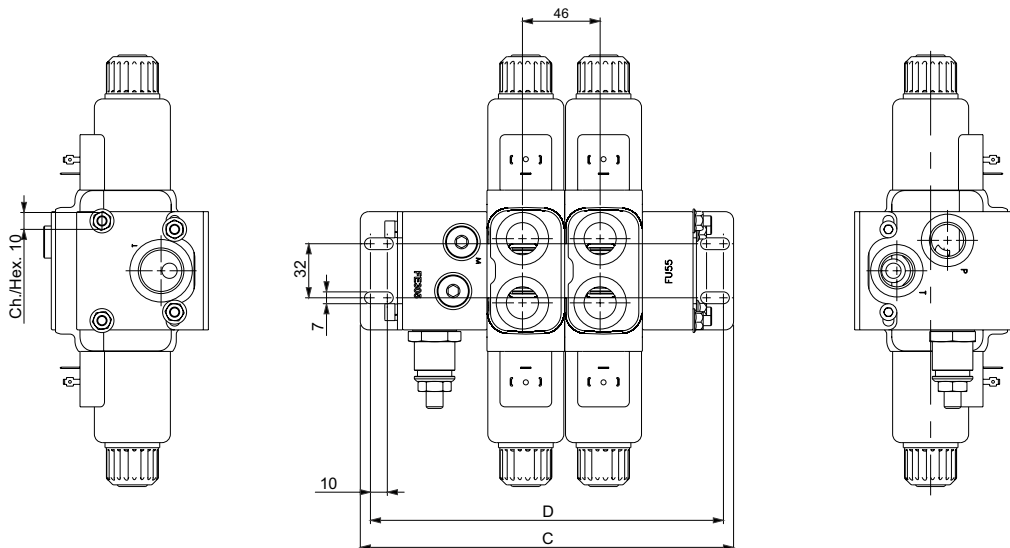
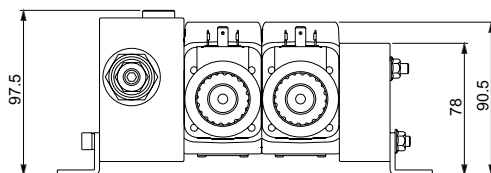
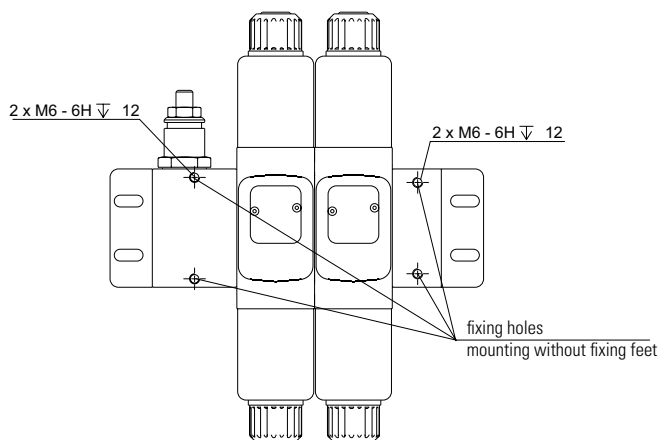


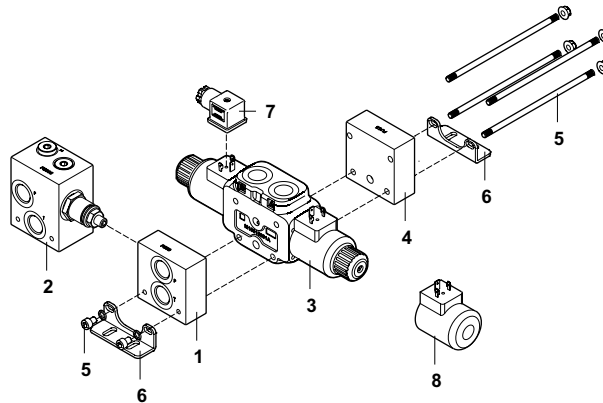
## Introduction

- Compact bankable valves with flow rates up to 80 l / min;
- High efficiency coils;
- Available ON/OFF directional control bankable valve;
- Available for parallel circuits;
- Assemblable with SIZE 6 valves.

## Overall dimensions with CD5 valves



No. elements	Inlet module			
	FE5		FE305	
	C mm	D mm	C mm	D mm
2	201	189	221	209
3	247	235	267	255
4	293	281	313	301
5	339	327	359	347
6	385	373	405	393



Ref.	Type	Description	Page
1	FE5	Inlet module units no pressure relief valve	84
2	FE305	Inlet module units with pressure relief valve	85
3	CD5	Directional control bankable valve	87
4	FU5	Outlet module units	90
5	—	Mounting kit	101
6	—	Fixing feet	103
7	—	Connectors	105
8	—	Coils	110

2

**SIZE 10 valves CD5 can be assembled with:**

- valves CDC3, CD3, CX3 (page 6);
- valves CXDH3, CDH3, CFS3 (page 56);

**To obtain the best performances, we suggest to assemble the working sections with higher flow rate near the inlet module, leaving the ones with lower flow at the end of the assembled valve.**

**How to order**

To order the assembly, specify the codes in progressive order (inlet, valves, outlet, mounting kit, feet). See example page 116.

For any further special version not shown in this catalogue, please contact our Technical Department.