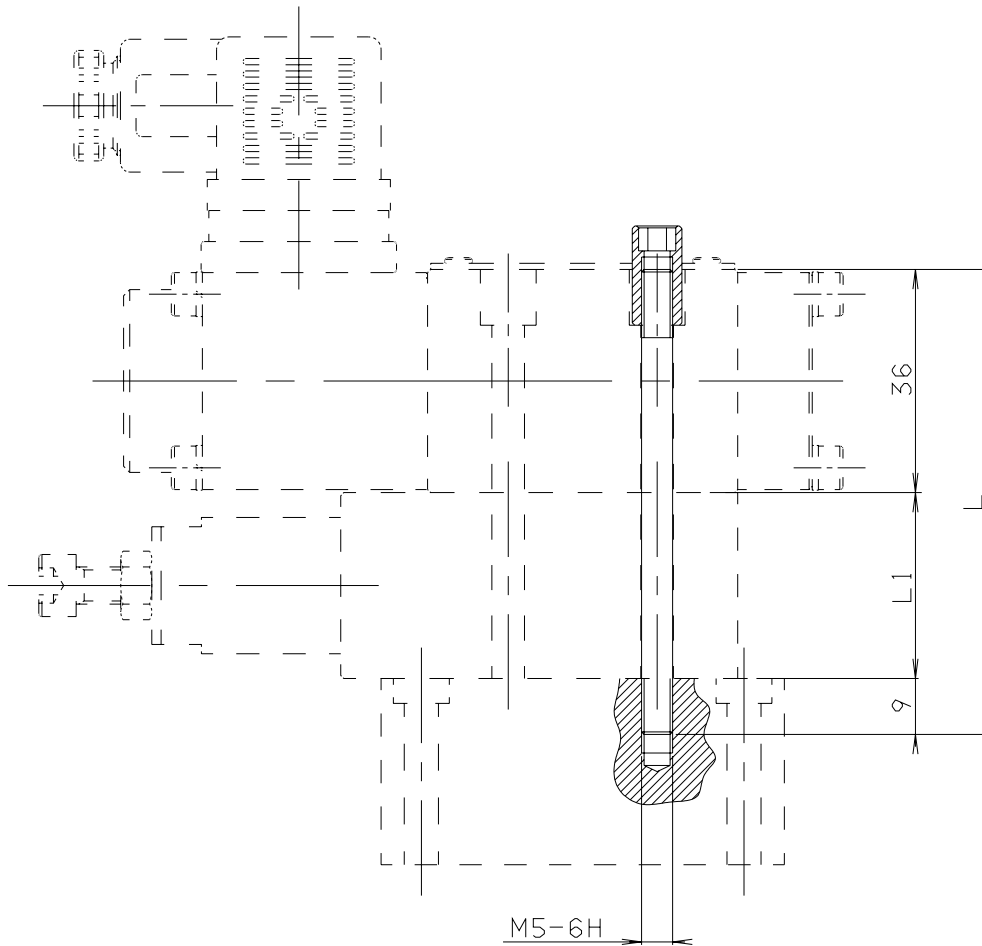


TABLE OF SCREWS AND STUDS FOR MOUNTING MODULES CETOP 2

OVERALL DIMENSIONS

Tighten M27.05.0001 to a torque of 5 Nm / 0.5 Kgm max.



4

SCREWS T.C.E.I CODE	L mm	L1* mm	COMPOSITION	Q.TY	SPECIAL NUTS CODE
Q26074069	35	—	AD2...	4	—
Q26074243	65	30	AD2... + 1 AM2... (ISO)	4	
Q26074252	95	60	AD2... + 2 AM2... (ISO)	4	
M80100008	135	90	AD2... + 3 AM2...	4	V89240000 (No. 20 nuts kit)
M80100020	165	120	AD2... + 4 AM2...	4	

* Indicative overall dimensions valves composition